

[GO TO INDEX](#)



2019 CE ATTACHMENT PRICING

PRICES EFFECTIVE December 1, 2018

Revised 12/7/18



[RETURN TO INDEX](#)

	Production Location	Estimated Dealer Uncrating/Set-up Time
Angle Brooms	Abilene	45 Minutes
Breaker	Abilene	30 Minutes
Cold Planner	Abilene	20 Minutes
Grapples	Lucas	30 Minutes
Hopper Broom	Abilene	20 Minutes
Light Material Bucket	Abilene	15 Minutes
Loader Boom	Lucas	15 Minutes
Pallet Forks	Abilene	15 Minutes
Post Hole Diggers	Abilene	1 Hour
Powered Rakes	Abilene	30 Minutes
Ripper	Kipp	15 Minutes
Road Saw	Abilene	20 Minutes
Silage Defacer	Abilene	15 Minutes
Skid Cutters	Lucas	1 Hour
Skid Grader	Kipp	15 Minutes
Skid Steer Hitch	Kipp	15 Minutes
Skid Tiller	Abilene	30 Minutes
Snow Blowers	Abilene	1 Hour
Snow Pushers	Lucas	15 Minutes
Stump Grinder	Kipp	1 Hour
Tilt Hitch	Lucas	15 Minutes
Tree/Post Puller	Abilene	15 Minutes
Trenchers	Abilene	30 Minutes
Trip Edge Blades	Lucas	15 Minutes

RETURN TO INDEX

Index

Brooms		Ripper	
AP-AB72 Series	18	AP-RP30 Ripper NEW!	29
AP-AB84 Series	18	Road Saws	
AP-HB Series Hopper Brooms NEW!	19	AP-SW30 Road Saws NEW!	30
Buckets		Silage Defacer	
AP-SL Series NEW!	8	AP-SD96 Silage Defacer NEW!	31
AP-HD Series NEW!	9	Skid Cutters	
AP-SRB15 Series Rock.....	10	AP-SC25 Series	15
AP-CB25 Series Combination.....	11	AP-SC40 Series	16
AP-GB30 Series Scrap	12	AP-SC70 Series	17
AP-LM25 Series Light Material	13	Skid Grader	
AP-UB25 Series Utility	14	AP-SG25 Series	32
AP-TC25 Series Tree Carriers	14	Skid Steer Hitch	
Cold Planers		AP-SH35 Series	39
AP-CP30 Cold Planers NEW!	22	Skid Tiller	
Dozer Blades		AP-SRT Series	40
AP-DZ30 Series	44	Snow Blowers	
Excavator Augers		AP-SBL25 Series	41
AP-EA20 Series	46	Snow Pushers	
AP-EA35 Series	47	AP-SSP15 Series.....	42
Auger Options	48	AP-SSP25 Series.....	43
Grapples		Stump Grinder	
AP-SGC20 Series Claw.....	4	AP-SSG25 Series	33
AP-SGR15 Series Skeleton	5	Tilt-Hitch	
AP-SGM15 Series Manure	6	AP-TH35 Series	38
AP-RG30 Series Root.....	7	Tree/Post Puller	
Loader Boom		AP-STP15 Series.....	34
AP-LB60 Series.....	20	AP-STP25 Series.....	34
Pallet Forks		Trencher	
AP-PFL45 Series	21	AP-TR Series	35
AP-PFL55 Series	21	Trip Edge Blades	
Post Hole Diggers		AP-TE35 Series NEW!	45
AP-SA20 Series	25		
AP-SA35 Series	26		
Accessories.....	27		
Powered Rakes			
AP-SR27 Series	23		
AP-SRF27 Series	24		
Primary Seeders			
AP-PS20 Skid Primary Seeders	28		

AP-SGC20 Series Claw Grapples

[RETURN TO INDEX](#)

AVAILABLE FOR: SSV65 / SSV75 / SVL75-2 / SVL95-2s



Closed Height: 39"
 Number of Bottom Teeth: 12, 14
 Number of Top Teeth: 11, 13
 Spacing of Teeth: 6"
 Tooth Thickness: 1/2"
 Working Length of Teeth: 15"
 Hydraulic Cylinder: 2 Qty, 3" x 10" x 1 1/4" Rod
 Max. Jaw Opening: 50"
 Tine Material: High Tensile AR400

*Hoses and fittings are options.



<u>MODEL NUMBER</u>	<u>DESCRIPTION</u>	<u>APPROX. MACHINE WEIGHT</u>	<u>SHIPPING WEIGHT</u>	<u>LIST PRICE</u>
AP-SGC2072	20 SERIES CLAW GRAPPLE - 72" Width	896#	908#	\$ 4,678
AP-SGC2084	20 SERIES CLAW GRAPPLE - 84" Width	1000#	1,013#	\$ 5,319
ADD				
<u>OPTION NO</u>				
-11	Hoses & Flat Face Fitting Bundle 76" (380-063A)	9#	9#	\$ 234

NOTE: If attaching to a Kubota skid steer, route hydraulic hoses through Kubota's SVL or SSV Hose Stay. Purchase SVL Hose Stay #S6689 or SSV Hose Stay #77700-07225. Refer to the Operator's Manual for more instructions.

AP-SGR15 Series Rock Grapples

[RETURN TO INDEX](#)

AVAILABLE FOR: SSV65 / SSV75 / SVL75-2 / SVL95-2s

Grapples



Closed Height: 30³/₄"
 Number of Bottom Teeth: 23, 25
 Spacing of Teeth: 3"
 Tooth Thickness: ³/₈"
 Working Length of Teeth: 38"
 Hydraulic Cylinder: 2" x 8" x 1¹/₄" Rod
 Max. Jaw Opening: 37"
 Tine Material: High Strength Grade 80 Material

*Hoses and fittings are options.

<u>MODEL NUMBER</u>	<u>DESCRIPTION</u>		<u>APPROX. MACHINE WEIGHT</u>	<u>SHIPPING WEIGHT</u>	<u>LIST PRICE</u>
AP-SGR1566-01	15 SERIES ROCK GRAPPLE - 66" Width		1000#	1014#	\$ 3,932
AP-SGR1572-01	15 SERIES ROCK GRAPPLE - 72" Width		1049#	1065#	\$ 4,074
AP-SGR1578-01	15 SERIES ROCK GRAPPLE - 78" Width		1083#	1099#	\$ 4,216
ADD					
<u>OPTION NO.</u>					
-11	Hoses & Flat Face Fitting Bundle 95"	(380-061A)	20#	20#	\$ 234
-21	Hydraulic Cylinder Shields - 2 each	(380-023A)	34#	34#	\$ 145

NOTE: If attaching to a Kubota skid steer, route hydraulic hoses through Kubota's SVL or SSV Hose Stay. Purchase SVL Hose Stay #S6689 or SSV Hose Stay #77700-07225. Refer to the Operator's Manual for more instructions.

AP-SGM15 Series Manure Grapples

[RETURN TO INDEX](#)

AVAILABLE FOR: SSV65 / SSV75 / SVL75-2 / SVL95-2s



Closed Height: 33"
 Number of Bottom Spears: 8, 9, 9, 10
 Number of Top Teeth: 4
 Spacing of Spears: 8", 7¹/₂", 8¹/₄", 8"
 Spear Diameter: 1³/₈"
 Working Length of Spears: 30"
 Hydraulic Cylinder: 2" x 8" x 1¹/₄" Rod
 Max. Jaw Opening: 40"

*Does not include hoses or fitting

MODEL NUMBER	DESCRIPTION	APPROX. MACHINE WEIGHT	SHIPPING WEIGHT	LIST PRICE
AP-SGM1566-01	15 SERIES MANURE GRAPPLE - 66" Width	596#	608#	\$ 2,741
AP-SGM1572-01	15 SERIES MANURE GRAPPLE - 72" Width	620#	634#	\$ 2,901
AP-SGM1578-01	15 SERIES MANURE GRAPPLE - 78" Width	648#	665#	\$ 3,061
	For Fork Only, No Grapple DELETE -01 from Model Number and Deduct from base price		-120#	\$ -979
ADD OPTION NO.				
-11	Hoses & Flat Face Fitting Bundle 95" - Kubota SVL (380-062A)	20#	20#	\$ 234
-21	Hydraulic Cylinder Shield (380-038A)	17#	17#	\$ 56

NOTE: If attaching to a Kubota skid steer, route hydraulic hoses through Kubota's SVL or SSV Hose Stay. Purchase SVL Hose Stay #S6689 or SSV Hose Stay #77700-07225. Refer to the Operator's Manual for more instructions.

AP-RG30 Series Root Grapples

[RETURN TO INDEX](#)

AVAILABLE FOR: SSV65 / SSV75 / SVL75-2 / SVL95-2s



- 1/2" Flat Faced Couplers Included
- Gusseted 1/2" Frame Tines
- 3/4" Grapple Tines
- Greaseable Pivot Points
- 10" Wide Tine Spacing
- Steel Hydraulic Lines
- 2 1/2" x 8" x 1 1/4" Cylinders
- Opening: 39 5/8"
- Depth: 31"
- Hydraulic Cylinder Shield Kit is now standard

Grapples

MODEL NUMBER	DESCRIPTION	APPROX. MACHINE WEIGHT	SHIPPING WEIGHT	LIST PRICE
AP-RG3068-21	30 SERIES ROOT GRAPPLE - 68" Width	951#	976#	\$ 3,768
AP-RG3074-21	30 SERIES ROOT GRAPPLE - 74" Width	967#	992#	\$ 4,169
AP-RG3080-21	30 SERIES ROOT GRAPPLE - 80" Width	1,064#	1,089#	\$ 4,616
ADD OPTION NO.				
-31	Cylinder Rod Shield Kit (380-278A)	37#	37#	\$ 176

NOTE: If attaching to a Kubota skid steer, route hydraulic hoses through Kubota's SVL or SSV Hose Stay. Purchase SVL Hose Stay #S6689 or SSV Hose Stay #77700-07225. Refer to the Operator's Manual for more instructions.

AP-SL Series Standard-Duty Buckets

[RETURN TO INDEX](#)

AVAILABLE FOR: SSV65/SSV75/SVL75-2/SVL95-2s



- 68" or 74" Width
- Standard Duty; Low Profile
- 10 Gauge Shell
- Available with Standard Floor or Long Floor
- Optional Weld-on Teeth or Bolt-on Edge
 - 68" 7 Teeth
 - 74" 8 Teeth
- Struck Capacity:
 - 68" 10.24 cu/ft Std, 12.39 cu/ft Long
 - 74" 11.13 cu/ft Std, 13.5 cu/ft Long
- Heaped Capacity:
 - 68" 14.51 cu/ft Std, 18.01 cu/ft Long
 - 74" 15.84 cu/ft Std, 19.67 cu/ft Long

*Must order Buckets in multiples of 8,
 with multiples of 4 being identical
 Price break at 16 Buckets

MODEL NUMBER	DESCRIPTION	APPROX. MACHINE WEIGHT	SHIPPING WEIGHT	LIST PRICE
AP-SL68SLT-16	68" w/Low Profile, Standard Floor, 7 Teeth	485#	510#	\$ 1,391
AP-SL68SLC-16	68" w/Low Profile, Standard Floor, Bolt on Edge	538#	570#	\$ 1,273
AP-SL68SLLT-16	68" w/Low Profile, Long Floor, 7 Teeth	520#	555#	\$ 1,442
AP-SL68SLLC-16	68" w/Low Profile, Long Floor, Bolt on Edge	572#	605#	\$ 1,224
AP-SL74SLT-16	74" w/Low Profile, Standard Floor, 8 Teeth	516#	551#	\$ 1,449
AP-SL74SLC-16	74" w/Low Profile, Standard Floor, Bolt on Edge	571#	604#	\$ 1,356
AP-SL74SLLT-16	74" w/Low Profile, Long Floor, 8 Teeth	552#	585#	\$ 1,475
AP-SL74SLLC-16	74" w/Low Profile, Long Floor, Bolt on Edge	607#	645#	\$ 1,417
OPTIONS	DESCRIPTION			
-08	8-PACK PRICING (replace -16 option with -08 option and add \$36 List to each bucket)			\$ 36

AP-HD Series Heavy-Duty Buckets

[RETURN TO INDEX](#)

AVAILABLE FOR: SSV65/SSV75/SVL75-2/SVL95-2s

Buckets



68", 74", or 80" Width
 Heavy Duty; Low Profile
 3/16" Shell
 Available with Standard Floor or Long Floor
 Optional Weld-on Teeth or Bolt-on Edge
 68" 7 Teeth
 74" 8 Teeth
 80" 9 Teeth
 Struck Capacity: 68" 10.24 cu/ft Std, 12.39 cu/ft Long
 74" 11.13 cu/ft Std, 13.5 cu/ft Long
 80" 12.01 cu/ft Std, 14.53 cu/ft Long
 80" High Capacity: 18.41 cu/ft,
 Heaped Capacity: 68" 14.51 cu/ft Std, 18.01 cu/ft Long
 74" 15.84 cu/ft Std, 19.67 cu/ft Long
 80" 16.86 cu/ft Std, 20.84 cu/ft Long
 80" High Capacity: 24.97 cu/ft Long

*Must order Buckets in multiples of 8,
 with multiples of 4 being identical
 Price break at 16 Buckets - Mix-n-Match

MODEL NUMBER	DESCRIPTION	APPROX. MACHINE WEIGHT	SHIPPING WEIGHT	LIST PRICE
AP-HD68LT-16	68" w/Low Profile, Standard Floor, 7 Teeth	545#	582#	\$ 1,397
AP-HD68LC-16	68" w/Low Profile, Standard Floor, Bolt on Edge	597#	634#	\$ 1,406
AP-HD68LLT-16	68" w/Low Profile, Long Floor, 7 Teeth	588#	625#	\$ 1,427
AP-HD68LLC-16	68" w/Low Profile, Long Floor, Bolt on Edge	640#	677#	\$ 1,481
AP-HD74LT-16	74" w/Low Profile, Standard Floor, 8 Teeth	581#	618#	\$ 1,401
AP-HD74LC-16	74" w/Low Profile, Standard Floor, Bolt on Edge	636#	673#	\$ 1,417
AP-HD74LLT-16	74" w/Low Profile, Long Floor, 8 Teeth	626#	663#	\$ 1,459
AP-HD74LLC-16	74" w/Low Profile, Long Floor, Bolt on Edge	680#	717#	\$ 1,532
AP-HD80LT-16	80" w/Low Profile, Standard Floor, 9 Teeth	667#	704#	\$ 1,642
AP-HD80LC-16	80" w/Low Profile, Standard Floor, Bolt on Edge	725#	762#	\$ 1,795
AP-HD80LLT-16	80" w/Low Profile, Long Floor, 9 Teeth	717#	754#	\$ 1,715
AP-HD80LLC-16	80" w/Low Profile, Long Floor, Bolt on Edge	774#	811#	\$ 1,831
AP-HD80HT-16	80" w/High Capacity, 9 Teeth	745#	782#	\$ 1,885
AP-HD80HC-16	80" w/High Capacity, Bolt on Edge	802#	839#	\$ 2,006
OPTIONS	DESCRIPTION			
-08	8-PACK PRICING (replace -16 option with -08 option and add \$36 List to each bucket)			\$ 36

AP-SRB15 Series Rock Buckets

[RETURN TO INDEX](#)

AVAILABLE FOR: SSV65 / SSV75 / SVL75-2 / SVL95-2s



Height: 21¹/₂"
 Number of Teeth: 21, 23, 25
 Spacing of Teeth: 3"
 Tooth Thickness: ³/₈"
 Working Length of Teeth: 38"
 Tine Material: High Strength Grade 80 Material

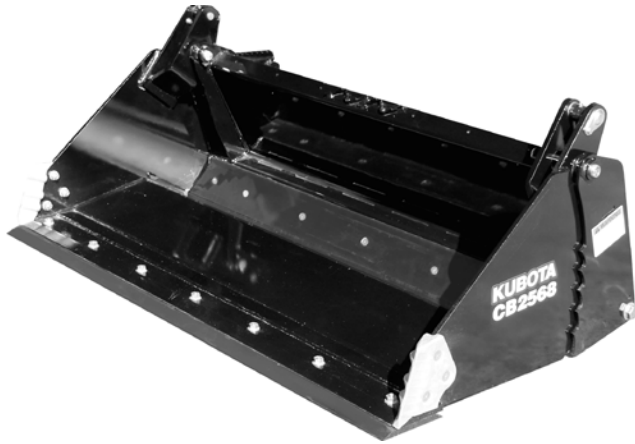
MODEL NUMBER	DESCRIPTION	APPROX. MACHINE WEIGHT	SHIPPING WEIGHT	LIST PRICE
AP-SRB1566	15 SERIES ROCK BUCKET - 66" Width	508#	523#	\$ 1,807
AP-SRB1572	15 SERIES ROCK BUCKET - 72" Width	550#	566#	\$ 1,947
AP-SRB1578	15 SERIES ROCK BUCKET - 78" Width	594#	612#	\$ 2,124

MUST BE ORDERED AS TWO PACKS, SAME SIZE

AP-CB25 Series Combination Buckets

[RETURN TO INDEX](#)

AVAILABLE FOR: SSV65 / SSV75 / SVL75-2 / SSVL95-2s



Standard 3/4" x 8" Dual Front Cutting Edge on Jaw
 Bolt-on Edge Back Blade
 Cylinder Protection
 Optional Counterbalance Valve - Prevents Hydraulic Bleed-off and Improves Cylinder Control
 33" Opening
 32" Depth
 Struck Capacity 10-16 cu.ft.
 (depending on size and options)
 Heaped Capacity 15-22 cu.ft.
 (depending on size and options)

Buckets

MODEL NUMBER	DESCRIPTION	APPROX. MACHINE WEIGHT	SHIPPING WEIGHT	LIST PRICE
AP-CB2568-01	25 SERIES COMBINATION BUCKET - 68" Width, with BOE	996#	1,040#	\$ 3,832
AP-CB2568-02	25 SERIES COMBINATION BUCKET - 68" Width, with Teeth	943#	983#	\$ 3,942
ADD OPTION NO. You May Choose This Option				
-20	68" Spill Guard (381-118A)	24#	24#	\$ 150
AP-CB2574-01	25 SERIES COMBINATION BUCKET - 74" Width, with BOE	1,056#	1,096#	\$ 4,563
AP-CB2574-02	25 SERIES COMBINATION BUCKET - 74" Width, with Teeth	1,001#	1,041#	\$ 4,683
ADD OPTION NO. You May Choose This Option				
-20	74" Spill Guard (381-117A)	26#	26#	\$ 155
AP-CB2580-01	25 SERIES COMBINATION BUCKET - 80" Width, with BOE	1,147#	1,187#	\$ 4,676
AP-CB2580-02	25 SERIES COMBINATION BUCKET - 80" Width, with Teeth	1,090#	1,130#	\$ 4,841
ADD OPTION NO. You May Choose This Option				
-20	80" Spill Guard (381-100A)	28#	28#	\$ 160
ADD OPTION NO. You MUST Choose a Valve Option				
-30	Counterbalance Valve (381-101A)	13#	13#	\$ 316
-31	Without Counterbalance Valve (381-142A)	1#	1#	\$ 15

NOTE: If attaching to a Kubota skid steer, route hydraulic hoses through Kubota's SVL or SSV Hose Stay. Purchase SVL Hose Stay #S6689 or SSV Hose Stay #77700-07225. Refer to the Operator's Manual for more instructions.

AP-GB30 Series Scrap Grapple Buckets

[RETURN TO INDEX](#)

AVAILABLE FOR: SSV65 / SSV75 / SVL75-2 / SVL95-2s



- Greasable Pivot Points
- 1/4" Two-Piece Shell
- 1/2" End Panels
- Five Bottom Wear Bars
- 3/4" Grapple Tines
- 2 1/2" x 8" x 1 1/4" Cylinders
- Steel Hydraulic Lines
- Jaw Opening: 40-5/8"
- Depth: 36"
- Hydraulic Shield Kit is now standard
- Options:
 - Bolt on Cutting Edge: 3/4" x 69"
 - Cylinder Rod Shield Kit

MODEL NUMBER	DESCRIPTION	APPROX. MACHINE WEIGHT	SHIPPING WEIGHT	LIST PRICE
AP-GB3068-21	30 SERIES SCRAP GRAPPLE BUCKET - 68" Width	1,091#	1,114#	\$ 3,852
AP-GB3074-21	30 SERIES SCRAP GRAPPLE BUCKET - 74" Width	1,138#	1,163#	\$ 4,231
AP-GB3080-21	30 SERIES SCRAP GRAPPLE BUCKET - 80" Width	1,215#	1,241#	\$ 4,603
ADD OPTION NO.				
-10	Bolt on Cutting Edge for 68"; 3/4" x 69" (381-120A)	104#	104#	\$ 247
-10	Bolt on Cutting Edge for 74"; 3/4" x 75" (381-119A)	113#	113#	\$ 267
-10	Bolt on Cutting Edge for 80"; 3/4" x 81" (381-103A)	122#	122#	\$ 294
-31	Cylinder Rod Shield Kit (380-278A)	37#	37#	\$ 176

NOTE: If attaching to a Kubota skid steer, route hydraulic hoses through Kubota's SVL or SSV Hose Stay. Purchase SVL Hose Stay #S6689 or SSV Hose Stay #77700-07225. Refer to the Operator's Manual for more instructions.

AP-LM25 Series Light Material Bucket

[RETURN TO INDEX](#)

AVAILABLE FOR: SSV65 / SSV75 / SVL75-2 / SVL95-2s



- High Back Design
- Cut Out in Backplate for Visibility
- 3/16" Shell
- 1/4" End Panels
- 6" x 3/4" Base Edge
- Bolt-on Cutting Edge Optional
- 8" x 5/8" Reversible
- Heavy-duty Construction
- 33" H x 40" D High Capacity Bucket

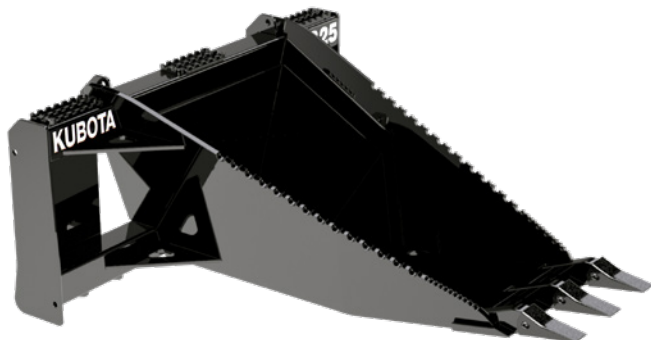
Buckets

MODEL NUMBER	DESCRIPTION	APPROX. MACHINE WEIGHT	SHIPPING WEIGHT	LIST PRICE
AP-LM2584	25 SERIES LIGHT MATERIAL BUCKET - 84" Width	719#	738#	\$ 1,736
ADD OPTION NO.				
-01	84" Cutting Edge	109#	109#	\$ 215
AP-LM2596	25 SERIES LIGHT MATERIAL BUCKET - 96" Width	803#	824#	\$ 1,824
ADD OPTION NO.				
-01	96" Cutting Edge	125#	125#	\$ 242
AP-LM25108	25 SERIES LIGHT MATERIAL BUCKET - 108" Width	869#	890#	\$ 2,112
ADD OPTION NO.				
-01	108" Cutting Edge	140#	140#	\$ 269

AP-UB25 Utility Bucket

[RETURN TO INDEX](#)

AVAILABLE FOR: SSV65 / SSV75 / SVL75-2 / SVL95-2s



Width: 45⁷/₈"
 Height: 22"
 Number of Teeth: 3
 Tooth Spacing: 5"
 Replaceable Pin-on Teeth
 Working Length: 53³/₈"
 Bucket Material: 1/2" 1021 Steel
 Bucket Width: 25¹/₂" at Hitch
 Weld-on Hardened Steel Cutting Edge
 Serrated Edges for Cutting

MODEL NUMBER	DESCRIPTION	APPROX. MACHINE WEIGHT	SHIPPING WEIGHT	LIST PRICE
AP-UB25	25 SERIES UTILITY BUCKET	476#	512#	\$ 1,216

AP-TC25 Series Tree Carriers

AVAILABLE FOR: SSV65 / SSV75 / SVL75-2 / SVL95-2s



Overall Width: 46⁷/₈"
 Height: 18⁵/₈"
 Bucket Width: TC2548: 46"; TC2542 41¹/₂"; TC2536 36³/₈"
 Length: TC2548: 55¹/₄"; TC2542: 49¹/₄"; TC2536: 43³/₈"
 Bucket Material: 1/4" Abrasion Resistant AR400



MODEL NUMBER	DESCRIPTION	APPROX. MACHINE WEIGHT	SHIPPING WEIGHT	LIST PRICE
AP-TC2536	25 SERIES TREE CARRIER - 36" Width	319#	354#	\$ 1,428
AP-TC2542	25 SERIES TREE CARRIER - 42" Width	349#	384#	\$ 1,532
AP-TC2548	25 SERIES TREE CARRIER - 48" Width	379#	424#	\$ 1,669

AP-SC25 Series Skid Cutters

[RETURN TO INDEX](#)

Various Flow Requirements

AVAILABLE FOR: SSV65 / SSV75 / SVL75-2 / SVL95-2s

Skid Cutters



Cutting Height: 1.5" to 18" infinitely variable
 Cutting Width: 60" or 72"
 Overall Width: 60: 65½" 72: 78"
 Overall Length: 60: 73" 72: 91"
 Cutting Capacity: 2" Diameter
 Blade Rotation: Clockwise
 Blades & Blade Carrier: ½"x 4" Updraft,
 Heavy Duty Round Pan Stump Jumper
 Hitch: Skid Steer
 Adjustable to Center or 8½" Right Offset
 Deck: 10 Gauge Steel
 Side Skirt Construction: 1/4" Steel
 Front Deck Protection: Single Row Chain Guard, Standard Eq.
 Rear Deck Protection: Double Row Chain Guard, Standard Eq.
 Deck Lift Height Protection: Safety Chain Limiter
 Deck Wear Protection: Optional Four Corner Mounted
 Skid Shoes
 Operator Protection: Optional Protective Door Shield
 Cutting Height Gauging: Optional Pivoting & Adjustable
 Front Mounted Gauge Wheel w/Laminated Tire
 Maximum Operating Pressure: 3500 psi
 Low Volume Drive Motors: For hyd. systems with
 11-20 GPM flow at 1500-3500 PSI;
 Medium Volume Drive Motors: For hyd. systems with
 21-25 GPM flow at 1500-3500 PSI;
 High Volume Drive Motors: For hyd. systems with
 26-30 GPM flow at 1500-3500 PSI;
 Low Volume Motor Blade Tip Speed: 14,100 FPM at 20 GPM
 Med. Volume Motor Blade Tip Speed: 14,000 FPM at 25 GPM
 High Volume Motor Blade Tip Speed: 13,000 FPM at 30 GPM
 Hydraulic Hose Length: 80" Standard

SKID STEER MUST BE EQUIPPED WITH A CASE DRAIN SYSTEM.

*Polycarbonate door recommended with this attachment.

MODEL NUMBER	DESCRIPTION	APPROX. MACHINE WEIGHT	SHIPPING WEIGHT	LIST PRICE
AP-SC2560	SKID CUTTER - 60" Width Single Front Chain Guard Double Rear Chain Guard	948#	984#	\$ 3,891
AP-SC2572	SKID CUTTER - 72" Width Single Front Chain Guard Double Rear Chain Guard	1188#	1236#	\$ 4,369
	<u>You May Choose a Gauge Wheel</u>			
-01	Single Gauge Wheel - Front Mounted	114#	154#	\$ 461
	<u>You Must Choose a Hydraulic Motor Assembly</u>			
-14	Hydraulic Motor: 11-20 GPM @ 3500 PSI			\$ 814
-15	Hydraulic Motor: 21-25 GPM @ 3500 PSI			\$ 814
-16	Hydraulic Motor: 26-30 GPM @ 3500 PSI			\$ 814
	<u>You May Choose a Pressure Gauge</u>			
-20	Motor Pressure Gauge	2#	2#	\$ 50
	<u>You May Choose a Skid Shoe Option</u>			
-41	Skid Shoes - Four Corners - 1/4" x 2"	15#	15#	\$ 79
-42	Heavy-Duty Skid Shoes - Four Corners - 3/8" x 3"	25#	25#	\$ 100

AP-SC40 Series Skid Cutters

[RETURN TO INDEX](#)

Various Flow Requirements

AVAILABLE FOR: SSV65 / SSV75 / SVL75-2 / SVL95-2s



Width: 60-71"; 72-83"
 Length: 60-78¹/₂"; 72-91¹/₂"
 4" Cutting Capacity Deck: 1/4"
 15-43 GPM Range - Depending on Option
 Standard Large Skid Shoes
 Tapered, Heavy-Duty
 Optional 4" Pressure Gauge
 Optional Case Drain
 Deck: 1/4"
 Side Skirts: 1/4"
 Chain Guards Standard
 Optional Protective Door
 Maximum Operating Pressure: 3500 PSI

*Polycarbonate door recommended with this attachment.

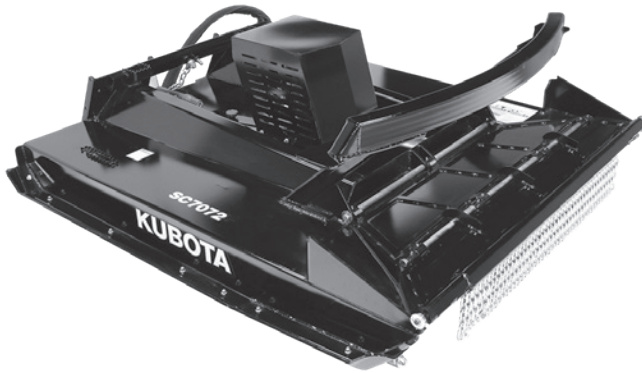
MODEL NUMBER	DESCRIPTION	APPROX. MACHINE WEIGHT	SHIPPING WEIGHT	LIST PRICE
AP-SC4060	SKID CUTTER - 60" Width Single Front Chain Guard Single Rear Chain Guard <u>You Must Choose a Hydraulic Motor Assembly</u>	1,424#	1,452#	\$ 4,720
-13	Hydraulic Motor: 15-25 GPM @ 3500 PSI	INC	INC	\$ 1,428
-15	Hydraulic Motor: 26-43 GPM @ 3500 PSI <u>You May Choose any of these Options</u>	INC	INC	\$ 1,428
-20	Case Drain Bundle	5#	5#	\$ 77
-30	Front Roller	44#	44#	\$ 500
-41	Pressure Gauge Bundle ECOR <u>You Must Pick a Protective Door Option</u>	4#	4#	\$ 303
-86	Operator Protective Door Assembly	20#	20#	\$ 388
-87	No Operator Protective Door Assembly			\$ 0
AP-SC4072	SKID CUTTER - 72" Width Single Front Chain Guard Single Rear Chain Guard <u>You Must Choose a Hydraulic Motor Assembly</u>	1,822#	1,850#	\$ 5,572
-14	Hydraulic Motor: 15-26 GPM @ 3500 PSI	INC	INC	\$ 1,406
-15	Hydraulic Motor: 27-43 GPM @ 3500 PSI <u>You May Choose any of these Options</u>	INC	INC	\$ 1,406
-20	Case Drain Bundle	5#	5#	\$ 77
-30	Front Roller	44#	44#	\$ 500
-41	Pressure Gauge Bundle ECOR <u>You Must Pick a Protective Door Option</u>	4#	4#	\$ 303
-86	Operator Protective Door Assembly	40#	20#	\$ 388
-87	No Operator Protective Door Assembly			\$ 0
ACCESSORY				
326-960A	Large Flat Face Couplers w/Adaptors		3#	\$ 214

AP-SC70 Series Skid Cutters

[RETURN TO INDEX](#)

Various Flow Requirements

AVAILABLE FOR: SVL95-2s



- Width: 81"
- Length: 91"
- 7" Cutting Capacity
- 28-43 GPM
- Maximum Flow Rate 43 GPM
- 11.95 Cu. In. Motor
- 4 Reversible Heat-Treated Blades
- Blades 3/4" Plate
- Laminated Steel Blade Carrier
- 18 Carbide Points
- Standard Large Skid Shoes
- Tapered, Heavy-Duty
- Optional 4" Pressure Gauge
- Optional Case Drain
- Deck: 1/4"
- Side Skirts: 1/4"
- Chain Guards Standard
- Unique Bi-fold Door
- Maximum Operating Pressure: 3500 PSI

Skid Cutters

*Polycarbonate door recommended with this attachment.

MODEL NUMBER	DESCRIPTION	APPROX. MACHINE WEIGHT	SHIPPING WEIGHT	LIST PRICE
AP-SC7072	SKID CUTTER - 72" Width Front and Rear Chains Bi-Fold Door Pusher Bar	2,482#	#2,482	\$ 13,455
<u>You May Choose any of these Options</u>				
-20	Case Drain Bundle	5#	5#	\$ 55
-41	Pressure Gauge Bundle	4#	4#	\$ 196
ACCESSORY				
326-024A	Operator Protective Door Assembly			\$ 388

AP-AB72 & AP-AB84 Angle Brooms

[RETURN TO INDEX](#)

12-30 GPM

AVAILABLE FOR: SSV65 / SSV75 / SVL75-2 / SVL95-2s



- 1/2" Flat Faced Couplers Included
- Overall Height: 33" Approx.
- Brush Diameter: 32"
- Brush Rotor Shaft: Quick Change Broom Core with No Hydraulic Breakage in Changeover
- Hex Drive System: Replaceable
- Brush Bristle: 100% Poly or 100% Metallic or 50/50
- Hood: Sheet Metal
- Jack Stands: Standard
- Angling: Manual Angling 30 Degrees Left or Right or Hydraulic Angling
- Integral Float Control:
 - Spring Loaded w/Adjustable Down Pressure & Stops
- Brush Speed Range: 100 - 230 RPM
- Hydraulic Hoses
- Hydraulic Couplers
- Additional Accessories:
 - Metal Shroud Extension
 - Dust Suppression System
 - Marker Indicators
 - Rubber Dust Deflector

Hydraulic GPM Range: 12-30 GPM
 Rated Flow Standard Motor: 25 GPM @ 230 RPM
 Minimum Hydraulic Flow Req.: 12 GPM @2000 PSI
 Hitch: Skid Steer
 Sweeping Width: 72", 84"
 Sweeping Width @ 30 Degree Max. Angle:
 72: 64", 84: 76"

HIGH FLOW: Allows higher GPM units to be used by diverting excess GPM (above 25 GPM) back to the tank.

MODEL NUMBER	DESCRIPTION	APPROX. MACHINE WEIGHT	SHIPPING WEIGHT	LIST PRICE
AP-AB72	Angle Broom - 72" Sweeping Width	865#	1022#	\$ 2,367
AP-AB84	Angle Broom - 84" Sweeping Width	884#	1038#	\$ 2,846
<u>YOU MUST CHOOSE ONE ANGLING FEATURE</u>				
FOR 12 - 24 GPM				
-01	Standard Flow w/Hydraulic Angling	15#	15#	\$ 1,278
-02	Standard Flow w/Manual Angling	10#	10#	\$ 476
FOR 25 GPM AND ABOVE ONLY				
-03	High Flow w/Hydraulic Angling - Must use Option -24	15#	15#	\$ 1,573
-04	High Flow w/Manual Angling - Must use Option -24	10#	10#	\$ 770
<u>YOU MUST CHOOSE ONE BROOM ASSEMBLY</u>				
-14	Poly Bristles	included	inclu	\$ 1,345
-15	Wire Bristles	included		\$ 1,345
-16	Poly/Wire Bristles	included		\$ 1,345
<u>YOU MUST CHOOSE ONE HYDRAULIC DRIVE MOTOR</u>				
-23	18 cu. in Hydraulic Motor - 18 GPM and below - 3500 psi	included		\$ 1,045
-24	23 cu. in. Hydraulic Motor - 19 GPM and above - 3500 psi	included		\$ 1,045
<u>YOU MAY CHOOSE ONE OF THE FOLLOWING FRONT DEFLECTORS</u>				
-31	Metal Shroud Extension w/Rubber Dust Deflector	59#		\$ 226
-32	Metal Shroud Extension Only	37#		\$ 128
<u>YOU MAY CHOOSE ONE OF THE FOLLOWING OPTIONS</u>				
-41	Marker Indicators	2#	2#	\$ 48
-51	Dust Suppression System w/25 Gallon Tank	37#	37#	\$ 484
-52	Hose and Spray Kit	20#	20#	\$ 117
<u>YOU MAY CHOOSE ONE OF THE FOLLOWING WIRING HARNESSSES</u>				
-60	14 Pin Wiring Harness, DEUTSCH HD30, 73" (For Kubota SVL only)	2#	2#	\$ 147
-61	14 Pin Wiring Harness, DEUTSCH HD30, 10'	2#	2#	\$ 147
-62	2 Pin Wiring Harness, DTP (2 Pin Kubota SVL)	2#	2#	\$ 201
-63	Switch and Wiring Harness	2#	2#	\$ 147
-64	Switch and Wiring Harness, Tractor Mount	2#	2#	\$ 212

AP-HB Series Hopper Brooms

[RETURN TO INDEX](#)

12-25 GPM

AVAILABLE FOR: SSV65 / SSV75 / SVL75-2 / SVL95-2s

Attachments



- 1/2" Flat Faced Couplers Included
- Overall Height: 33" Approx.
- Brush Diameter: 26"
- Brush Rotor Shaft: Quick Change Broom Core with No Hydraulic Breakage in Changeover
- Hex Drive System: Replaceable
- Brush Bristle: 100% Poly or 100% Metallic or 50/50
- Hood: Sheet Metal
- Brush Speed Range: 100 - 230 RPM
- Hydraulic Hoses
- Hydraulic Couplers
- Optional Dust Suppression System

HIGH FLOW: Allows higher GPM units to be used by diverting excess GPM (above 25 GPM) back to the tank.

Hydraulic GPM Range: 12-25 GPM
 Rated Flow Standard Motor: 25 GPM @ 230 RPM
 Minimum Hydraulic Flow Req.: 12 GPM @2000 PSI
 Hitch: Skid Steer
 Sweeping Width: 74", 84"
 Bucket Shell: 3/16"
 Bolt-on Cutting Edge Standard: 5/8"x8"

MODEL NUMBER	DESCRIPTION	APPROX. MACHINE WEIGHT	SHIPPING WEIGHT	LIST PRICE
AP-HB74	74" HOPPER BROOM	1028#	1069#	\$ 4,882
<u>YOU MUST CHOOSE A BROOM ASSEMBLY</u>				
-14	Poly Bristles	222#		\$ 901
-15	Wire Bristles	222#		\$ 932
-16	Poly/Wire Bristles	222#		\$ 917
<u>YOU MAY CHOOSE A GUTTER BROOM ASSEMBLY</u>				
-19	Gutter Broom	101#		\$ 1,375
<u>YOU MAY CHOOSE A DUST SUPPRESSION FEATURE</u>				
-51	HB74 Dust Suppression Kit	194#		\$ 783
-52	HB74 Dust Suppression Kit w/Gutter Broom Dust Supression	197#		\$ 828
AP-HB84	84" HOPPER BROOM	1116#	1158#	\$ 5,124
<u>YOU MUST CHOOSE A BROOM ASSEMBLY</u>				
-14	Poly Bristles	251#		\$ 1,164
-15	Wire Bristles	251#		\$ 1,205
-16	Poly/Wire Bristles	251#		\$ 1,185
<u>YOU MAY CHOOSE A GUTTER BROOM ASSEMBLY</u>				
-19	Gutter Broom	101#		\$ 1,375
<u>YOU MAY CHOOSE A DUST SUPPRESSION FEATURE</u>				
-51	HB84 Dust Suppression Kit	206#		\$ 845
-52	HB84 Dust Suppression Kit w/Gutter Broom Dust Supression	210#		\$ 890

AP-LB60 Loader Boom

[RETURN TO INDEX](#)



AVAILABLE FOR: SSV65 / SSV75 / SVL75-2 / SVL95-2s

6" x 6" Tube Construction
 6,000 lbs. Lift Capacity
 Flat Front
 Two 1" Lifting Lugs
 Stabilizer Chain Connections / Side Plates
 45" W x 68" H
 Reinforced Mast
 Black Only

MODEL NUMBER	DESCRIPTION	APPROX. MACHINE WEIGHT	SHIPPING WEIGHT	LIST PRICE
AP-LB60-92	60 SERIES LOADER BOOM 2-Pak	384#	494#	\$ 1,177
To Order Single Unit, Replace -92 with -99				\$ 199

AP-PFL45 & AP-PFL55 Series Pallet Forks

[RETURN TO INDEX](#)

45 Series: 4,500 lbs. Carrying Capacity
 55 Series: 5,500 lbs. Carrying Capacity @ 24"

AVAILABLE FOR: SSV65 / SSV75 / SVL75-2 / SVL95-2s



45 SERIES:

Fork Dimensions: 48"L x 1½"D x 4"W
 Fork Position Lock: Spring Loaded Toggle
 Frame Size: 46"W x 38½"H
 Fork Size: 1½" x 4" ITA Class II
 Adjustable Fork Width: 8"-44"
 Skid Resistant Step

55 SERIES:

Fork Dimensions:
 PFL5548: 48"L x 1¾"D x 4" W
 PFL5560: 60"L x 1¾"D x 4" W
 Fork Position Lock: Spring Loaded Toggle
 Frame Size: 46"W x 37"H
 Fork Size: 1¾" x 4" ITA Class II
 Adjustable Fork Width: 8"-44"
 Skid Resistant Step

Attachments

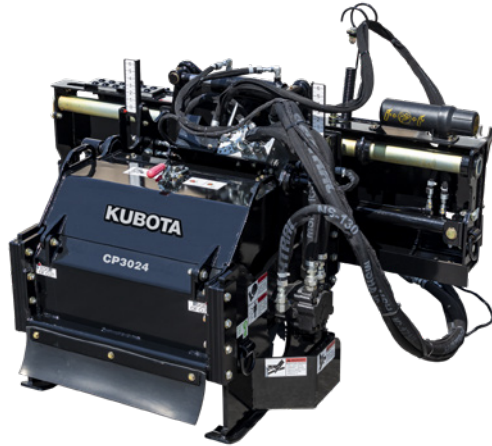
MODEL NUMBER	DESCRIPTION	APPROX. WEIGHT	SHIPPING WEIGHT	LIST PRICE
AP-PFL4548-93	45 SERIES PALLET FORKS - 48" Forks 4,500 lbs Carrying Capacity	394#	442#	\$ 1,126
Packed in Qty of 3 same size Units				
	Quantity less than 3 Units, or those not included in multiple of 3, Add OPTION -99		ADD	\$ 70
AP-PFL5548-93	55 SERIES UNIVERSAL QUICK-ATTACH PALLET FORKS - 48" Forks 5,500 lbs Carrying Capacity, Skid/Loader Plate	426#	448#	\$ 1,181
AP-PFL5560-93	55 SERIES PALLET FORKS - 60" Forks 5,500 lbs Carrying Capacity, Skid/Loader Plate	473#	595#	\$ 1,510
q	PACKED IN QTY of 3 SAME SIZE UNITS			
	Quantity less than 3 Units, or those not included in multiple of 3, DELETE -93 and ADD OPTION -99		ADD	\$ 70

AP-CP30 Series Cold Planers

[RETURN TO INDEX](#)

15-30 gpm

AVAILABLE FOR: SSV65 / SSV75 / SVL75-2 / SVL95-2s



Cutting Width: 12" to 48"
 Cutting Depth:
 LF Models - 0" - 5"
 Standard Models - 0" - 6"
 Tilt: 12", 16", 18" Models - +/-15 Degrees
 24" Models - +/-13 Degrees
 30" Models - +/-10 Degrees
 40" Models - +/-8 Degrees
 48" Models - +/-6 Degrees
 Side Shift: 26"
 Teeth: 12" - 30
 16" - 38
 18" - 40
 24" - 50
 30" - 60
 40" - 76
 48" - 90
 Minimum GPM/ PSI:
 LF Models - 15 GPM/2,000 PSI
 16", 18" Models - 24 GPM/2,000 PSI
 24" Models - 27 GPM/2,000 PSI
 30" Models - 30 GPM/2,500 PSI
 40" Models - 30 GPM/3,000 PSI
 48" Models - 30 GPM/3,500 PSI
 Wall Clearance: 3.97" (N/A on LF Models)

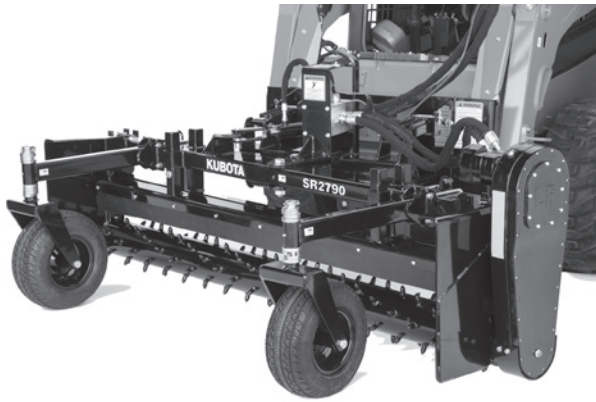
<u>MODEL NUMBER</u>	<u>DESCRIPTION</u>	<u>APPROX. MACHINE WEIGHT</u>	<u>SHIPPING WEIGHT</u>	<u>LIST PRICE</u>
AP-CP3012LF	30 SERIES COLD PLANER - 12" Low Flow	1220#	1238#	\$ 14,230
AP-CP3016LF	30 SERIES COLD PLANER - 16" Low Flow	1250#	1268#	\$ 14,760
AP-CP3018	30 SERIES COLD PLANER - 18"	1805#	1824#	\$ 23,600
AP-CP3024	30 SERIES COLD PLANER - 24"	1970#	1994#	\$ 26,100
AP-CP3030	30 SERIES COLD PLANER - 30"	2155#	2174#	\$ 29,600
AP-CP3040	30 SERIES COLD PLANER - 40"	2450#	2469#	\$ 34,200
AP-CP3048	30 SERIES COLD PLANER - 48"	2685#	2906#	\$ 40,100

AP-SR27 Series Powered Rakes

[RETURN TO INDEX](#)

Minimum Hydraulics Required: 72: 12-24 gpm
 90: 15-24 gpm

AVAILABLE FOR: SSV65 / SSV75 / SVL75-2 / SVL95-2s



- Rigid or Float Option
- Manual or Hydraulic Angle
- Cast Chain Housing
- 5/8" U-Bolts on Gauge Wheel
- Drive Chain: #50 Double Continuous Roller Chain
 - High Tensile, Enclosed in Oil Bath
- Angle Adjustment: 20 Degrees Left & 20 Degrees Right,
- Forward or Reverse Angle Cylinder: 2" x 8"
- End Plates with Storage Pins Gauge Wheels: 16.5" x 6.5"
 - Air Tires with Sealant & 3/4" Roller Bearings
 - and Spacer Height Adjustment
- Replaceable Skid Shoes

Attachments

MODEL NUMBER	DESCRIPTION	APPROX. MACHINE WEIGHT	SHIPPING WEIGHT	LIST PRICE
AP-SR2772	27 SERIES SKID STEER POWERED RAKE 72" Width; Carbide Tipped Studded Roller	1101#	1126#	\$ 7,651
AP-SR2790	27 SERIES SKID STEER POWERED RAKE 90" Width; Carbide Tipped Studded Roller	1255#	1282#	\$ 8,905
<u>YOU MUST CHOOSE A HITCH OPTION</u>				
-11	Angling Float Hitch	267#	267#	\$ 1,510
-12	Angle Hitch	221#	221#	\$ 823
<u>YOU MUST CHOOSE A VALVE OPTION</u>				
-31	72" Hydraulic Valve and Cylinder (321-121A)	52#	52#	\$ 1,537
-31	90" Hydraulic Valve and Cylinder (321-123A)	54#	54#	\$ 1,558
-32	Manual Link Assembly (321-122A)	22#	22#	\$ 406
<u>YOU MAY CHOOSE ONE OF THE FOLLOWING WIRING HARNESES</u>				
-60	14 Pin Wiring Harness, DEUTSCH HD30, 73" (323-094A)	2#	2#	\$ 147
-62	2 Pin Wiring Harness w Switch, DTP (2 Pin Kubota SVL) (323-096A)	2#	2#	\$ 201
-63	Switch and Wiring Harness (323-097A)	2#	2#	\$ 147

AP-SRF27 Series Powered Rakes

[RETURN TO INDEX](#)

Minimum Hydraulics Required: 72: 12-24 gpm
90: 15-24 gpm

AVAILABLE FOR: SSV65 / SSV75 / SVL75-2 / SVL95-2s



- Fixed Hitch
- Cast Chain Housing
- 5/8" U-Bolts on Gauge Wheel
- No Auxiliary Function Needed
- Drive Chain: #50 Double Continuous Roller Chain
High Tensile, Enclosed in Oil Bath
- End Plates with Storage Pins Gauge Wheels:
16.5" x 6.5" Air Tires with Sealant &
3/4" Roller Bearings
and Spacer Height Adjustment
- Replaceable Skid Shoes

MODEL NUMBER	DESCRIPTION	APPROX. MACHINE WEIGHT	SHIPPING WEIGHT	LIST PRICE
AP-SRF2772	27 SERIES SKID STEER POWERED RAKE 72" Width; Carbide Tipped Studded Roller	1098#	1126#	\$ 8,594
AP-SRF2790	27 SERIES SKID STEER POWERED RAKE 90" Width; Carbide Tipped Studded Roller	1256#	1282#	\$ 9,558

AP-SA20 Series Planetary Post Hole Digger

[RETURN TO INDEX](#)

6-30 gpm

AVAILABLE FOR: SSV65 / SSV75 / SVL75-2 / SVL95-2s



Skid/Loader Plate
 Hydraulically Driven Planetary Gearbox
 Hydraulically Reversible
 2 Motor Options: High or Med. Flow
 Output Shaft: 2" Hex
 Auger Teeth: Forged, Individually Replaceable
 40 Degree Angle Installed on Flat Side
 50 Degree Angle Installed on Angled Side
 9" - 4 teeth, 12" - 4, 15" - 5, 18" - 6,
 24" - 8, 30" - 10, 36" - 12
 Tree Augers: 24" - 9, 30" - 11, 36" - 13
 Auger Pipe: 2 1/2" ID
 Auger Flighting Thickness: 1/4"
 Auger Length: 48"

Optional Flat Face Couplers
 Torque (at 100% Efficiency)
 Med-Flow: 1775 ft/lb @ 3000 PSI
 High-Flow: 2620 ft/lb @ 3000 PSI

Attachments

MODEL NUMBER	DESCRIPTION	APPROX. MACHINE WEIGHT	SHIPPING WEIGHT	LIST PRICE
AP-SA20-05	20 SERIES HYDRAULIC POST HOLE DIGGER Skid/Loader Plate w/8' Hoses	353#	393#	\$ 887
ADD OPTION NUMBER				
YOU MUST CHOOSE A MOTOR				
-42	Med Flow Hyd Motor 10-20 GPM	71#	71#	\$ 1,393
-43	High Flow Hyd Motor 15-30 GPM	71#	71#	\$ 1,408
YOU MAY CHOOSE COUPLERS				
-50	Flat Face Couplers - Small (includes adaptors)	3#	3#	\$ 131
ADD OPTION NUMBER				
FOR 2" HEX OUTPUT SHAFTS				
-06	6" Double Flight Auger (317-273A)	60#	60#	\$ 456
-09	9" Double Flight Auger (317-095A)	70#	70#	\$ 477
-12	12" Double Flight Auger (317-098A)	98#	98#	\$ 542
-15	15" Double Flight Auger (317-101A)	119#	119#	\$ 694
-18	18" Double Flight Auger (317-104A)	131#	131#	\$ 764
-24	24" Double Flight Auger (317-107A)	214#	214#	\$ 894
-26	24" Tree Auger (317-110A)	162#	162#	\$ 815
-30	30" Double Flight Auger (317-113A)	254#	254#	\$ 1,312
-32	30" Tree Auger (317-116A)	236#	236#	\$ 1,225
-36	36" Double Flight Auger (317-119A)	380#	380#	\$ 1,572
-38	36" Tree Auger (317-122A)	305#	305#	\$ 1,488
-70	6" Rock Auger (317-280A)	40#	40#	\$ 961
-71	9" Rock Auger (317-263A)	89#	89#	\$ 1,198
-72	12" Rock Auger (317-264A)	111#	111#	\$ 1,478
-73	15" Rock Auger (317-265A)	140#	140#	\$ 1,759
-74	18" Rock Auger (317-266A)	73#	73#	\$ 2,047
-75	24" Rock Auger (317-267A)	80#	80#	\$ 2,573

See Accessories on pg. 27

AP-SA35 Series Planetary Post Hole Digger

[RETURN TO INDEX](#)

15-25 gpm

AVAILABLE FOR: SSV65 / SSV75 / SVL75-2 / SVL95-2s

Skid Steer Mounting Plate
 Hydraulically Driven Planetary Gearbox
 Hydraulically Reversible
 Output Shaft: 2" Hex or 2⁹/₁₆" OD Round
 Auger Teeth: Forged, Individually Replaceable
 40 Degree Angle Installed on Flat Side
 50 Degree Angle Installed on Angled Side
 9" - 4 teeth, 12" - 4, 15" - 5, 18" - 6,
 24" - 8, 30" - 10, 36" - 12
 Tree Augers: 24" - 9, 30" - 11, 36" - 13

Auger Pipe: 2¹/₂" ID
 Auger Flighting Thickness: 1/4"
 Auger Length: 48"
 Pilot: Cast Steel, 3 Drill Points
 Includes 8' Hose & 1/2" Flat Face Couplers

MODEL NUMBER	DESCRIPTION	APPROX. MACHINE WEIGHT	SHIPPING WEIGHT	LIST PRICE
AP-SA35-01	35 SERIES HYDRAULIC POST HOLE DIGGER 2 ⁹ / ₁₆ " Round Output Shaft 15-25 GPM Hydraulic Motor	375#	449#	\$ 2,622
ADD OPTION NUMBER	FOR 2⁹/₁₆" ROUND OUTPUT SHAFTS			
-10	9" Double Flight Auger (317-096A)	70#	70#	\$ 477
-13	12" Double Flight Auger (317-099A)	98#	98#	\$ 542
-16	15" Double Flight Auger (317-102A)	119#	119#	\$ 694
-19	18" Double Flight Auger (317-105A)	131#	131#	\$ 764
-25	24" Double Flight Auger (317-108A)	214#	214#	\$ 894
-27	24" Tree Auger (317-111A)	162#	162#	\$ 815
-31	30" Double Flight Auger (317-114A)	285#	285#	\$ 1,312
-33	30" Tree Auger (317-117A)	236#	236#	\$ 1,225
-37	36" Double Flight Auger (317-120A)	380#	380#	\$ 1,572
-39	36" Tree Auger (317-123A)	305#	305#	\$ 1,488
-76	6" Rock Auger (317-281A)	60#	60#	\$ 961
-77	9" Hub Rock Auger (317-268A)	95#	95#	\$ 1,198
-78	12" Hub Rock Auger (317-269A)	116#	116#	\$ 1,478
-79	15" Hub Rock Auger (317-270A)	149#	149#	\$ 1,759
-80	18" Hub Rock Auger (317-271A)	205#	205#	\$ 2,047
-81	24" Hub Rock Auger (317-267A)	256#	256#	\$ 2,573
AP-SA35-02	35 SERIES HYDRAULIC POST HOLE DIGGER 2" Hex Output Shaft 15-25 GPM Hydraulic Motor	375#	449#	\$ 2,622
ADD OPTION NUMBER	FOR 2" HEX OUTPUT SHAFTS			
-06	6" Double Flight Auger (317-273A)	60#	60#	\$ 456
-09	9" Double Flight Auger (317-095A)	70#	70#	\$ 477
-12	12" Double Flight Auger (317-098A)	98#	98#	\$ 542
-15	15" Double Flight Auger (317-101A)	119#	119#	\$ 694
-18	18" Double Flight Auger (317-104A)	131#	131#	\$ 764
-24	24" Double Flight Auger (317-107A)	214#	214#	\$ 894
-26	24" Tree Auger (317-110A)	162#	162#	\$ 815
-30	30" Double Flight Auger (317-113A)	254#	254#	\$ 1,312
-32	30" Tree Auger (317-116A)	236#	236#	\$ 1,225
-36	36" Double Flight Auger (317-119A)	380#	380#	\$ 1,572
-38	36" Tree Auger (317-122A)	305#	305#	\$ 1,488
-70	6" Rock Auger (317-280A)	60#	60#	\$ 961
-71	9" Hex Rock Auger (317-263A)	95#	95#	\$ 1,198
-72	12" Hex Rock Auger (317-264A)	116#	116#	\$ 1,478
-73	15" Hex Rock Auger (317-265A)	149#	149#	\$ 1,759
-74	18" Hex Rock Auger (317-266A)	205#	205#	\$ 2,047
-75	24" Hex Rock Auger (317-267A)	256#	256#	\$ 2,573

See Accessories on pg. 27

Post Hole Digger Accessories

[RETURN TO INDEX](#)

Attachments

PART NUMBER	DESCRIPTION	APPROX. WEIGHT	SHIPPING WEIGHT	LIST PRICE
AUGER EXTENSIONS				
317-129A	2" Hex - 24" Auger Extension - SA20, SA35, EA20, EA35	34#	34#	\$ 509
317-131A	2" Hex - 48" Auger Extension - SA20, SA35, EA20, EA35	58#	58#	\$ 742
317-133A	2 ⁹ / ₁₆ " Round - 24" Auger Extension - SA35, EA35	25#	25#	\$ 550
317-135A	2 ⁹ / ₁₆ " Round - 48" Auger Extension - SA35, EA35	37#	37#	\$ 441
317-274A	6" Bolt-on Rock Head - SA20, SA35, EA20, EA35	24#	24#	\$ 542
317-275A	9" Bolt-on Rock Head - SA20, SA35, EA20, EA35	36#	36#	\$ 666
317-276A	12" Bolt-on Rock Head - SA20, SA35, EA20, EA35	43#	43#	\$ 722
317-277A	15" Bolt-on Rock Head - SA20, SA35, EA20, EA35	47#	47#	\$ 774
317-278A	18" Bolt-on Rock Head - SA20, SA35, EA20, EA35	62#	62#	\$ 818
317-279A	24" Bolt-on Rock Head - SA20, SA35, EA20, EA35	79#	79#	\$ 958

AP-PS20 Series Skid Primary Seeders

[RETURN TO INDEX](#)

AVAILABLE FOR: SSV65 / SSV75 / SVL75-2 / SVL95-2s



Width: 79", 93.375"
 Seeding Width: 71.5", 86.125"
 Hitch: Quick Attach Skid Plate AND 3-Point
 Bi-Directional Seed Cups
 Front and Rear Floating Packer Wheels
 Ground Driven Metering
 Seed Box: One Bushel/ft, Water-tight with Agitator
 Seed Cups: 72" - 10; 86" - 12
 Front Rollers: 9.5" Dia. Packer Wheels
 72" - 31 Rings
 86" - 37 Rings
 Rear Rollers: 9.5" Dia. Packer Wheels
 72" - 30 Rings
 86" - 36 Rings
 Roller Spindles: 1.75" with Greasable Bearings
 Wind-Guarded Seed Drop
 #40 Chain, Spring-loaded, Easy Access
 Spring Tines for Track Removal
 Optional Transport Lights
 Optional Acre Meter

<u>MODEL NUMBER</u>	<u>DESCRIPTION</u>	<u>APPROX. MACHINE WEIGHT</u>	<u>SHIPPING WEIGHT</u>	<u>LIST PRICE</u>
AP-PS2072	20 SERIES SKID PRIMARY SEEDER - 72"	1441#	1485#	\$ 8,364
AP-PS2086	20 SERIES SKID PRIMARY SEEDER - 86"	1656#	1699#	\$ 9,136
<u>You MAY Choose these Options</u>				
-30	Acremeter (313-831A)	8#		\$ 366
-40	Transport Lights (313-992A)	44#		\$ 211

AP-RP30 Ripper

[RETURN TO INDEX](#)

AVAILABLE FOR: SSV65 / SSV75 / SVL75-2 / SVL95-2s



Working Width: 78-3/4"
 Overall Width: 68-1/2"
 Hitch Type: Skid Steer Quick Attach
 Number of Shanks 5
 Replaceable Shank Tips
 Number of Shank Adjustments 4 (2", 4", 6" and 8" deep)
 Skid Shoe Construction Bolt-on 5/16" Steel Plate.
 Shank Tube Construction 5" x 5" Square Tube with
 Reinforcement Plate Around Bottom of Shank Opening.
 Level Indicator (Patent Pending)

Attachments

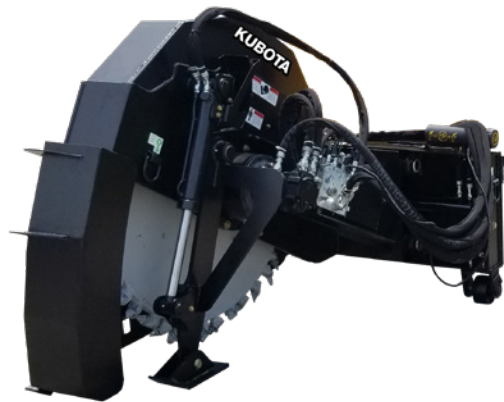
MODEL NUMBER	DESCRIPTION	APPROX. MACHINE WEIGHT	SHIPPING WEIGHT	LIST PRICE
AP-RP30	30 SERIES SKID RIPPER - 68" Width	392#	402#	\$ 1,796

AP-SW30 Series Road Saws

[RETURN TO INDEX](#)

Minimum 30 gpm @ 2,500 PSI

AVAILABLE FOR: SSV65 / SSV75 / SVL75-2 / SVL95-2s



Cutting Width: 3010: 2.5", 4.5"
 3018: 3", 4.5", 6"
 Cutting Depth: 3010: 0" - 10"
 3018: 0" - 18"
 Hydraulic Side Shift: 0" - 26"
 Planetary Gear Drive
 Minimum GPM/PSI: 30 GPM/2,500 PSI

*Polycarbonate door recommended with this attachment.

<u>MODEL NUMBER</u>	<u>DESCRIPTION</u>	<u>APPROX. MACHINE WEIGHT</u>	<u>SHIPPING WEIGHT</u>	<u>LIST PRICE</u>
AP-SW3010-2.5	30 SERIES ROAD SAW - 10" with 2.5" Wide Cut	1323#	1344#	\$ 20,245
AP-SW3010-4.5	30 SERIES ROAD SAW - 10" with 4.5" Wide Cut	1361#	1382#	\$ 20,930
AP-SW3018-3.0	30 SERIES ROAD SAW - 18" with 3" Wide Cut	2344#	2365#	\$ 29,825
AP-SW3018-4.5	30 SERIES ROAD SAW - 18" with 4.5" Wide Cut	2398#	2420#	\$ 30,450
AP-SW3018-6.0	30 SERIES ROAD SAW - 18" with 6" Wide Cut	2453#	2475#	\$ 30,950

AP-SD96 Silage Defacer

[RETURN TO INDEX](#)

AVAILABLE FOR: SSV65 / SSV75 / SVL75-2 / SVL95-2s

Attachments



Overall Width: 99-1/4"
 Working Width: 90-5/8"
 Rotor Diameter with Tines: 17"
 Tine Length: 6-1/2"
 Spiral Tine Pattern
 Optional Quick Attach Skid Plate or Euro Hitch
 Motor: 6.2 cu/in
 RPM: @ 12 gpm - 160
 @ 25 gpm - 335

MODEL NUMBER	DESCRIPTION	APPROX. MACHINE WEIGHT	SHIPPING WEIGHT	LIST PRICE
AP-SD96	SILAGE DEFACER - 96" Width	388#	430#	\$ 4,710
<u>You MUST Choose a Hitch Option</u>				
-10	Euro Hitch	307#		\$ 885
-11	Quick Attach Hitch	295#		\$ 800
<u>You MUST Choose a Hose Option</u>				
-20	Tractor Loader Hoses	5#		\$ 290
-21	Skid Loader Hoses	4#		\$ 268

AP-SG25 Series Skid Graders

[RETURN TO INDEX](#)

AVAILABLE FOR: SSV65 / SSV75 / SVL75-2 / SVL95-2s



Ripper Teeth Standard
 Bi-directional Blades
 Correct Hitch Angle
 Bucket Carrier on Top
 Working Width: 72", 84"
 Overall Width: 6'6", 7'6"
 Overall Length: 56"
 Side Panel Height: 14⁵/₈"
 Side Panel Length: 50"
 Side Panel Thickness: 1/4", with 2³/₄" Formed Edges
 Front Beam: 4" x 4", 5/16" Wall Tubing
 Rear Beam: 3" x 3", 3/16" Wall Tubing
 Skid Shoes: 3/8" x 3", Replaceable
 Ripper Teeth: Heat Treated
 6 ea on 72"
 7 ea on 84"
 Cutting Edges: 2 ea, 1/2" x 6" High Carbon,
 Heat Treated, Reversible & Replaceable

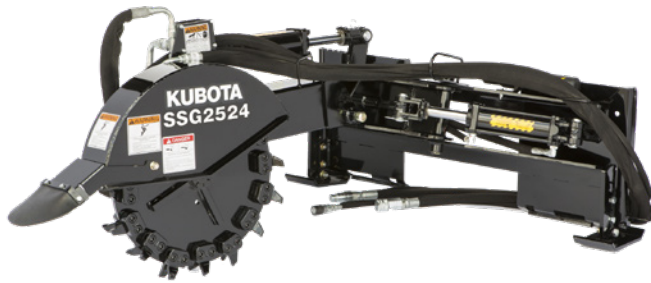
MODEL NUMBER	DESCRIPTION	APPROX. MACHINE WEIGHT	SHIPPING WEIGHT	LIST PRICE
AP-SG2572	25 SERIES SKID GRADER - 72" Width - 6 Shanks	892#	990#	\$ 2,494
AP-SG2584	25 SERIES SKID GRADER - 84" Width - 7 Shanks	958#	1056#	\$ 2,676

AP-SSG25 Series Stump Grinder

[RETURN TO INDEX](#)

AVAILABLE FOR: SSV65 / SSV75 / SVL75-2 / SVL95-2s

Attachments



Overall Mounting Width: 48"
 Overall Length (w/o Shielding): 60"
 Drive System: Hydraulic Motor w/Electric over Hydraulics
 Hydraulic Requirements: 17-32 gpm
 Angle & Lift Cylinders: 3" x 6" Stroke
 w/1 1/4" Rod Diameter
 Hydraulic Lines & Hoses: 3/4"
 Cutting Wheel: 1/2" Thick x 24" Diameter
 w/Carbide Teeth
 Number of Carbide Teeth: 32
 Cutting Wheel Speed: 640 rpm @ 18 gpm
 Cutting Arc: 55 Degrees
 Max Cutting Depth: 8"
 Greasable Hinge Points: Yes
 Main Frame: 6" x 6" x 1/4" Tube

<u>MODEL NUMBER</u>	<u>DESCRIPTION</u>	<u>APPROX. MACHINE WEIGHT</u>	<u>SHIPPING WEIGHT</u>	<u>LIST PRICE</u>
AP-SSG2524	25 SERIES STUMP GRINDER 24" Diameter Cutting Wheel	455#	565#	\$ 6,480
ADD OPTION NUMBER				
-20	Flat-Faced Hydraulic Quick Couplers (326-627A)	1#	1#	\$ 131
-31	Control Harness - Battery Connection with Switch	5#	5#	\$ 279
-32	14 Pin Wiring Harness (Kubota SVL & Others)	3#	3#	\$ 162
-35	2 Pin Wiring Harness (Kubota SVL w/0 14 Pin Connector)	2#	2#	\$ 329
-90	SSL/SVL Case Drain Coupler	8#	8#	\$ 52

NOTE: If attaching to a Kubota skid steer, route hydraulic hoses through Kubota's SVL or SSV Hose Stay. Purchase SVL Hose Stay #S6689 or SSV Hose Stay #77700-07225. Refer to the Operator's Manual for more instructions.

AP-STP15 Series Tree/Post Puller

[RETURN TO INDEX](#)

AVAILABLE FOR: SSV65



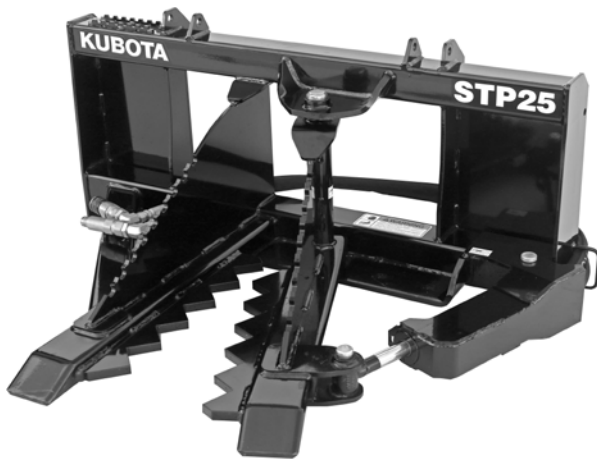
Hitch: Skid Steer
 Cylinder: 2" x 8" x 1" Welded
 Stout Square Tube Frame
 Pincher: 16" x 2 3/4" x 5/8"
 Pivot Pin: 2 1/2" Solid, Greasable
 Mouth Opening: 10"
 Cylinder Guard: 3/16", Included
 Small Flat Faced Couplers Included

MODEL NUMBER	DESCRIPTION	APPROX. MACHINE WEIGHT	SHIPPING WEIGHT	LIST PRICE
AP-STP15	15 SERIES TREE/POST PULLER	195#	245#	\$ 1,593

NOTE: If attaching to a Kubota skid steer, route hydraulic hoses through Kubota's SVL or SSV Hose Stay. Purchase SVL Hose Stay #S6689 or SSV Hose Stay #77700-07225. Refer to the Operator's Manual for more instructions.

AP-STP25 Series Tree/Post Puller

AVAILABLE FOR: SSV65 / SSV75 / SVL75-2 / SVL95-2s



Hitch: Skid Steer
 Cylinder: 2" x 8" x 1" Welded
 Stout Square Tube Frame
 Pincher: 16" x 2 3/4" x 5/8"
 Pivot Pin: 1 1/4" x 17" Solid, Greasable
 Mouth Opening: 10"
 Cylinder Guard: 3/16", Included
 Small Flat Faced Couplers Included

MODEL NUMBER	DESCRIPTION	APPROX. MACHINE WEIGHT	SHIPPING WEIGHT	LIST PRICE
AP-STP25	25 SERIES TREE/POST PULLER	495#	516#	\$ 1,994

ADD OPTION NO.

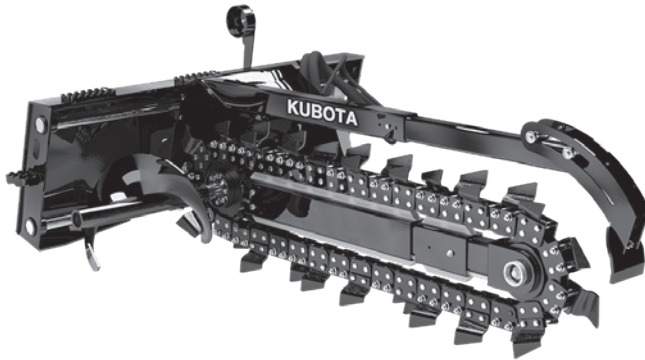
-10	Push Bar Assembly	101#	101#	\$ 374
-----	-------------------	------	------	--------

NOTE: If attaching to a Kubota skid steer, route hydraulic hoses through Kubota's SVL or SSV Hose Stay. Purchase SVL Hose Stay #S6689 or SSV Hose Stay #77700-07225. Refer to the Operator's Manual for more instructions.

AP-TR Series Trencher

[RETURN TO INDEX](#)

AVAILABLE FOR: SSV65 / SSV75 / SVL75-2 / SVL95-2s



58" Frame Width
 48", 60" Depths
 15-24 gpm, 25-40 gpm Motor Options
 3500 psi Operating Pressure
 Manual or Hydraulic Sideshift
 6", 8", 10" Width Chain Options
 2-Pitch, 4-Pitch, and Combo Chain Options
 Patented Depth Gauge
 Standard Spoil Auger, 15 $\frac{1}{2}$ " Diameter
 Grease Cylinder Tensioning
 Crumber Shoe to Clear Trench

Attachments

MODEL NUMBER	DESCRIPTION	APPROX. MACHINE WEIGHT	SHIPPING WEIGHT	LIST PRICE
AP-TR48-10	48" TRENCHER - 15-24 GPM MOTOR	938#	979#	\$ 6,630
AP-TR48-11	48" TRENCHER - 25-40 GPM MOTOR	945#	987#	\$ 7,061
AP-TR60-10	60" TRENCHER - 15-24 GPM MOTOR	966#	966#	\$ 6,630
AP-TR60-11	60" TRENCHER - 25-40 GPM MOTOR	973#	1014#	\$ 7,061

Trencher Options and Chain Selection Guide on following pages.

AP-TR Series Trencher

[RETURN TO INDEX](#)

ADD OPTION NUMBER		APPROX. MACHINE WEIGHT	SHIPPING WEIGHT	LIST PRICE
<u>You MUST Choose a Chain (48" Only)</u>				
-30	2 Pitch Chain, Standard Cup, 6" (350-072A)			\$ 1,130
-31	2 Pitch Chain, Standard Cup, 8" (350-170A)			\$ 1,378
-32	2 Pitch Chain, Standard Cup, 10" (350-171A)			\$ 1,539
-34	4 Pitch Chain, Standard Cup, 6" (350-173A)			\$ 888
-35	4 Pitch Chain, Standard Cup, 8" (350-174A)			\$ 990
-36	4 Pitch Chain, Standard Cup, 10" (350-175A)			\$ 1,281
-38	Scorpion and Cup Chain, 6" (350-177A)			\$ 1,986
-39	Scorpion and Cup Chain, 8" (350-178A)			\$ 2,250
-40	Scorpion and Cup Chain, 10" (350-179A)			\$ 2,562
-42	Alligator and Cup Chain, 6" (350-181A)			\$ 1,986
-43	Alligator and Cup Chain, 8" (350-182A)			\$ 2,255
-44	Alligator and Cup Chain, 10" (350-183A)			\$ 2,907
<u>You MUST Choose a Chain (60" Only)</u>				
-30	2 Pitch Chain, Standard Cup, 6" (350-129A)			\$ 1,297
-31	2 Pitch Chain, Standard Cup, 8" (350-185A)			\$ 1,572
-32	2 Pitch Chain, Standard Cup, 10" (350-186A)			\$ 1,830
-34	4 Pitch Chain, Standard Cup, 6" (350-188A)			\$ 1,018
-35	4 Pitch Chain, Standard Cup, 8" (350-189A)			\$ 1,135
-36	4 Pitch Chain, Standard Cup, 10" (350-191A)			\$ 1,357
-38	Scorpion and Cup Chain, 6" (350-193A)			\$ 2,266
-39	Scorpion and Cup Chain, 8" (350-196A)			\$ 2,573
-40	Scorpion and Cup Chain, 10" (350-197A)			\$ 2,799
-42	Alligator and Cup Chain, 6" (350-199A)			\$ 2,261
-43	Alligator and Cup Chain, 8" (350-201A)			\$ 2,578
-44	Alligator and Cup Chain, 10" (350-702A)			\$ 3,616
<u>You MUST Choose a Sideshift Option</u>				
-60	Hydraulic Side Shift	28#	28#	\$ 726
-61	Manual Side Shift	7#	7#	\$ 81
<u>You MUST Choose a Crumber Shoe</u>				
-70	6" Crumber Shoe	7#	7#	\$ 22
-71	8" Crumber Shoe	9#	9#	\$ 24
-72	10" Crumber Shoe	12#	12#	\$ 26

AP-TR Series Trencher

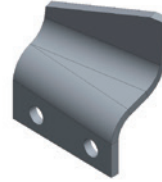
[RETURN TO INDEX](#)

Attachments

TRENCHER CHAIN SELECTION GUIDE

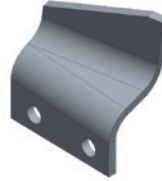
2 PITCH CHAIN

Standard Cup Tooth Every Station
 Light to moderately compacted, sandy soils



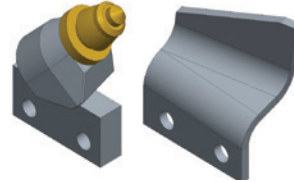
4 PITCH CHAIN

Standard Cup Tooth Every Other Station
 Wet, sticky conditions



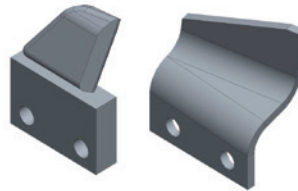
ALLIGATOR & CUP TEETH

Combination 50/50
 Highly compacted soils, clay, shale or frozen ground



SCORPION & CUP TEETH

Combination 50/50
 Compacted or rocky soil - Not recommended for use in normal conditions



CHAIN WIDTHS

6" Wide



8" Wide



10" Wide



CHAIN AND CUTTER RECOMMENDATIONS FOR VARIOUS DIGGING CONDITIONS

CHAIN SYSTEM	ROCKY SOIL	HARD SOIL	MEDUM SOIL	SOFT SOIL	SANDY
4 pitch cup			***	***	**
2 pitch cup		**	***	***	***
Scorpion & cup	***	***	***	***	
Alligator & cup	***	***	***	**	

AP-TH35 Series Tilt-Hitch

[RETURN TO INDEX](#)

AVAILABLE FOR: SSV65 / SSV75 / SVL75-2 / SVL95-2s



20 Degree Tilt in Either Direction
 Angle Gauge and Level - Standard
 Nylon Slide Pads
 2.5 x 5 x 1.25 Welded Cylinder
 44" W x 20-1/2" H
 Universal Skid Hitch to Universal Skid Hitch

MODEL NUMBER	DESCRIPTION	APPROX. MACHINE WEIGHT	SHIPPING WEIGHT	LIST PRICE
AP-TH35	35 SERIES TILT HITCH	352#	388#	\$ 2,659

NOTE: If attaching to a Kubota skid steer, route hydraulic hoses through Kubota's SVL or SSV Hose Stay. Purchase SVL Hose Stay #S6689 or SSV Hose Stay #77700-07225. Refer to the Operator's Manual for more instructions.

AP-SH35 Series Skid Steer Hitch

[RETURN TO INDEX](#)

AVAILABLE FOR: SSV65 / SSV75 / SVL75-2 / SVL95-2s

Attachments



- Adjusts for Cat. 1 or 2 non-PTO implements
- Adjustable Top Hook
- Automatic Lock on Lower 3-Point
- Class II Receiver and Storage Rack for Ball Hitch
- Width: 46³/₈"
- Height: 25"

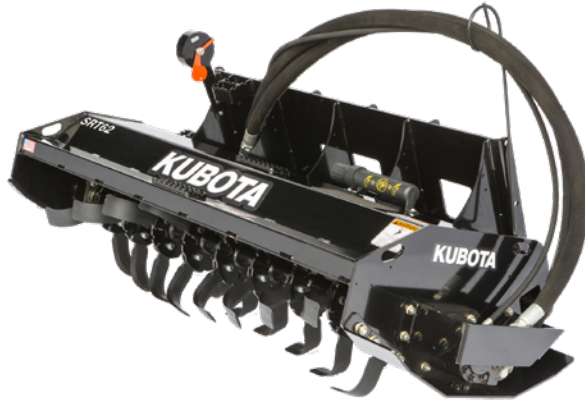
MODEL NUMBER	DESCRIPTION	APPROX. MACHINE WEIGHT	SHIPPING WEIGHT	LIST PRICE
AP-SH35	SKID STEER 3-POINT HITCH	225#	278#	\$ 1,274

AP-SRT Skid Tillers

[RETURN TO INDEX](#)

14-42 GPM

AVAILABLE FOR: SSV65 / SSV75 / SVL75-2 / SVL95-2s



Hitch: Skid Steer
 Color: Black
 Tilling Depth: 5½", 4", and 2"
 Rotor Diameter: 18.3"
 Rotor Speed:
 SRT62 LOW flow motor 143-245 RPM
 SRT62 HIGH flow motor 133-244 RPM
 SRT76 HIGH flow motor 133-244 RPM
 Recommended Hydraulic Pressure
 SRT62 LOW flow motor
 14-23 gpm: minimum 2800 psi / max of 4500 psi
 SRT62 HIGH flow motor
 23-42 gpm: minimum 2000 psi / max of 4500 psi
 SRT76 HIGH flow motor
 16-23 gpm*: minimum 2600 psi / max of 4500 psi
 92-133 Rotor RPM
 23-42 gpm: minimum 2300 psi / max of 4500 psi
 133-244 Rotor RPM
 Tines: Forged, Hardened, Bi-Directional, "C"-Shape,
 4 per Flange
 Shanks: ¾" x 2½" x 16" Steel; Standard
 62: 5 Shanks with retaining clips, Standard
 76: 6 Shanks with retaining clips, Standard
 Patent Pending Level Indicator

MODEL NUMBER	DESCRIPTION	APPROX. MACHINE WEIGHT	SHIPPING WEIGHT	LIST PRICE
AP-SRT62-10-50	62" Skid Tiller Low Flow Motor, 5 Shanks	785#	851#	\$ 5,550
AP-SRT62-11-50	62" Skid Tiller High Flow Motor, 5 Shanks	785#	851#	\$ 5,723
AP-SRT76-50	76" Skid Tiller High Flow Motor, 6 Shanks	880#	921#	\$ 6,612
Add Option No.	Coupler Option			
-20	Small Flat Faced Couplers		2#	\$ 131
-21	Large Flat Face Couplers		4#	\$ 214

*AP-SRT76 High flow motors can be used on skid steers with 16-23 gpm with minimum working pressure of 2600 psi but rotor speed (RPM) will be reduced which could affect tilling performance.

AP-SBL25 Series Snow Blowers

[RETURN TO INDEX](#)

12-33 GPM

AVAILABLE FOR: SSV65 / SSV75 / SVL75-2 / SVL95-2s



Working Width : 66", 74", 84"
 Hitch: Skid/Loader Plate
 Main Housing Material: 10 Gauge
 Side Plate Material: 3/16"
 Impeller: 24" Diameter
 Impeller Housing Depth: 66 & 74: 8", 84: 10"
 Impeller Blades: 4
 Auger: 16" Diameter
 Auger Paddles: 4
 Chute Opening at Base: 66 & 74: 10", 84: 12"
 Chute Rotation: Sprocket Type; Hydraulic
 Chute Deflector Operation: Hydraulic
 3 Motors: 12-19 GPM; 20-26 GPM; 27-33 GPM
 30-60 Hydraulic HP
 Skid Shoes: Outer, Bolt-on, Adjustable & Replaceable
 * Case Drain Standard

Attachments

SEE SNOW BLOWER FREIGHT CHART FOR LTL RATES

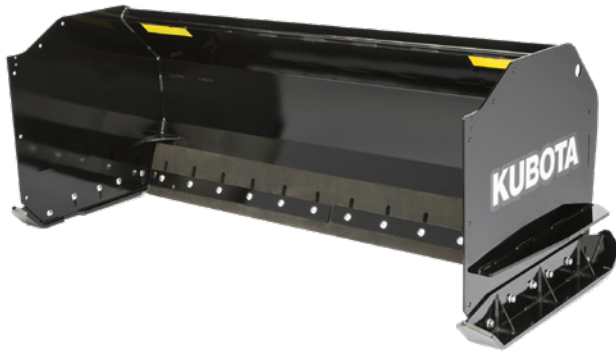
MODEL NUMBER	DESCRIPTION		APPROX. MACHINE WEIGHT	SHIPPING WEIGHT	LIST PRICE
AP-SBL2566	25 SERIES - 66" SNOW BLOWER		827#	863#	\$ 5,663
AP-SBL2574	25 SERIES - 74" SNOW BLOWER		862#	894#	\$ 6,093
AP-SBL2584	25 SERIES - 84" SNOW BLOWER		897#	940#	\$ 6,670
ADD					
OPTION NO.	You MUST Choose a HYDRAULIC MOTOR				
-10	HYDRAULIC MOTOR 12-19 GPM	(370-528A)	38#	38#	\$ 1,246
-11	HYDRAULIC MOTOR 20-26 GPM	(370-529A)	20#	20#	\$ 1,265
-12	HYDRAULIC MOTOR 27-33 GPM	(370-530A)	48#	48#	\$ 1,255
You MUST Choose a COUPLER					
-20	Small, Flat-Faced Couplers	(316-290A)	3#	3#	\$ 131
-21	Large, Flat-Faced Couplers	(316-289A)	3#	3#	\$ 214
You MUST Choose a WIRE HARNESS					
-31	Skid Steer Control Harness	(370-134A)	5#	5#	\$ 279
-32	14 Pin Wiring Harness (Kubota SVL & Others)	(370-336A)	3#	3#	\$ 162
-35	2 Pin Wiring Harness (Kubota SVL w/o 14 Pin Connector)	(370-434A)	2#	2#	\$ 329
You May Choose a Couplers					
-40	CTL/SS Coupler Package	(326-474A)	8#	8#	\$ 52
You MUST Choose a SKID SHOE					
-50	Outer Skid Shoes SBL2566	(370-451K)	34#	34#	\$ 138
-50	Outer Skid Shoes SBL2574 & SBL2584	(370-438K)	31#	31#	\$ 138
-51	Inner Skid Shoes	(370-440K)	50#	50#	\$ 196

NOTE: If attaching to a Kubota skid steer, route hydraulic hoses through Kubota's SVL or SSV Hose Stay. Purchase SVL Hose Stay #S6689 or SSV Hose Stay #77700-07225. Refer to the Operator's Manual for more instructions.

AP-SSP15 Series Snow Pushers

[RETURN TO INDEX](#)

AVAILABLE FOR: SSV65 / SSV75 / SVL75-2 / SVL95-2s



Hitch: Quick-Attach
 Working Width: 72", 84", 96"
 Carrier Lift Capacity: Less than 2,000 lbs
 Carrier Max Operating Weight: Less than 5,000 lbs
 Moldboard Height: 30"
 Moldboard Thickness: 10 Gauge
 Side Panels w/Supports: 1/4" Plate
 Blade Depth: 29"
 Replaceable Bottom Wear Edge:
 1" x 8" Rubber w/Slotted Hole or
 1/2" x 6" 1045 Steel
 Mounting Steps: Serrated, on hitch
 Skid Shoe: AR400, 1/2" x 4" Reversible, Adjustable
 Optional Pull Back Blade with 1" x 8" Rubber Wear Edge



MODEL NUMBER	DESCRIPTION	APPROX. MACHINE WEIGHT	SHIPPING WEIGHT	LIST PRICE
AP-SSP1572	15 SERIES - 72" SNOW PUSHER	523#	558#	\$ 2,138
ADD OPTION NO.	<u>You MUST choose a Wear Edge Option</u>			
-01	Rubber Wear Edge	33#	33#	\$ 335
-02	Steel Wear Edge	62#	62#	\$ 121
	<u>You MAY choose a Back-Drag Option</u>			
-10	72" Pull Back Blade (303-380A)	198#	198#	\$ 824
AP-SSP1584	15 SERIES - 84" SNOW PUSHER	565#	603#	\$ 2,284
ADD OPTION NO.	<u>You MUST choose a Wear Edge Option</u>			
-01	Rubber Wear Edge	62#	62#	\$ 389
-02	Steel Wear Edge	72#	72#	\$ 141
	<u>You MAY choose a Back-Drag Option</u>			
-10	84" Pull Back Blade (303-379A)	221#	221#	\$ 908
AP-SSP1596	15 SERIES - 96" SNOW PUSHER	605#	645#	\$ 2,538
ADD OPTION NO.	<u>You MUST choose a Wear Edge Option</u>			
-01	Rubber Wear Edge	65#	65#	\$ 446
-02	Steel Wear Edge	83#	83#	\$ 161
	<u>You MAY choose a Back-Drag Option</u>			
-10	96" Pull Back Blade (303-378A)	245#	245#	\$ 991
ACCESSORIES				
323-026A	Markers (cannot be used in conjunction with pull back blade)	5#	5#	\$ 93

AP-SSP25 Series Snow Pusher

[RETURN TO INDEX](#)

AVAILABLE FOR: SSV65 / SSV75 / SVL75-2 / SVL95-2s

Attachments



Hitch: Quick-Attach
 Working Width: 96"
 Carrier Lift Capacity: Less than 5,000 lbs
 Carrier Max Operating Width: Less than 8,000 lbs
 Moldboard Height: 36"
 Moldboard Thickness: 3/16"
 Side Panels w/Supports: 5/16" Plate
 Blade Depth: 35"
 Replaceable Bottom Wear Edge:
 1 1/2" x 8" Rubber w/Slotted Hole or
 1/2" x 6" 1045 Steel
 Mounting Steps: Serrated, on hitch
 Skid Shoe: AR400, 1/2" x 4" Reversible, Adjustable
 Optional Pull Back Blade with 1 1/2" x 8" Rubber
 Wear Edge

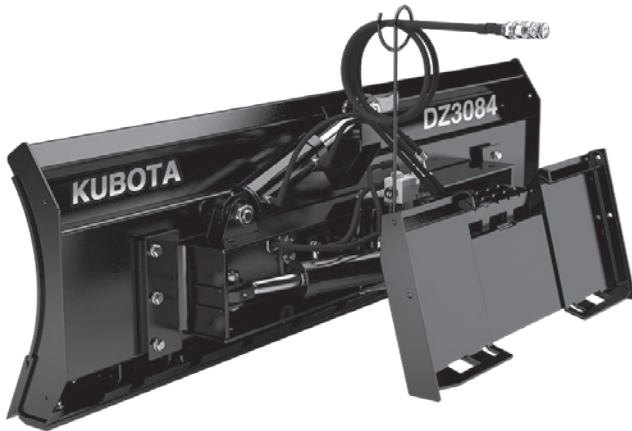


MODEL NUMBER	DESCRIPTION	APPROX. MACHINE WEIGHT	SHIPPING WEIGHT	LIST PRICE
AP-SSP2596	25 SERIES - 96" SNOW PUSHER	845#	887#	\$ 2,810
ADD OPTION NO.				
<u>You MUST choose a Wear Edge Option</u>				
-01	Rubber Wear Edge	77#	77#	\$ 541
-02	Steel Wear Edge	83#	83#	\$ 161
<u>You MAY choose Options</u>				
-10	96" Pull Back Blade (303-386A)	300#	300#	\$ 1,042
-11	End Panel Braces (303-408A)	32#	32#	\$ 169
<u>ACCESSORIES</u>				
323-026A	Markers (cannot be used in conjunction with pull back blade)	6#	6#	\$ 93

AP-DZ30 Series 6-Way Dozer Blade

[RETURN TO INDEX](#)

AVAILABLE FOR: SSV65 / SSV75 / SVL75-2 / SVL95-2



6-Way Tilt and Angle
 Moldboard: 3/8" w/Full Box Bracing
 Cutting Edge:
 3/4" x 8" Reversible & Replaceable
 3 Piece Design
 Tilt: Up to 10 Degrees Up and Down
 Angle: Up to 30 Degrees Both Directions
 Pivot Pins: 3"
 Cylinders: 3-1/2" x 8" Welded
 Wear Bar: 1/2" x 4" Full Length

MODEL NUMBER	DESCRIPTION	APPROX. MACHINE WEIGHT	SHIPPING WEIGHT	LIST PRICE
AP-DZ3084	30 SERIES 6-WAY DOZER BLADE - 84" Width	1345#	1400#	\$ 6,695
AP-DZ3096	30 SERIES 6-WAY DOZER BLADE - 96" Width	1440#	1505#	\$ 7,071
ADD OPTION				
NUMBER	YOU MUST CHOOSE A WIRING HARNESS			
-31	Thumb Switch, Battery Connect	5#	5#	\$ 264
-32	14 Pin Connector	5#	5#	\$ 165
-33	14 Pin Connector, JD	5#	5#	\$ 165
-34	14 Pin Connector, JD E/H	5#	5#	\$ 165
-35	Thumb Switch, 2-Pin Connect	5#	5#	\$ 264

AP-TE35 Series Trip Edge Blades

[RETURN TO INDEX](#)

AVAILABLE FOR: SSV65 / SSV75 / SVL75-2 / SVL95-2s

Attachments



Moldboard Construction: Steel
 Moldboard Thickness: 7 Gauge
 Moldboard Height: 32"
 Hitch: Skid/Loader Plate
 22° Oscillation (L or R)
 Cut Width @ 30 Degree Maximum Angle: 96: 83"; 108: 93"
 Hydraulic Angling: Double-Acting Cylinder & Hoses
 Adjustable Spring-loaded Trip Edge Protection
 Blade Depth: Approx. 41"
 Mounting Steps: Serrated
 Skid Shoes
 Carrier Max Hydraulic Output Pressure: 3500 psi max.
 Rated Max. Pressure Rating-Hoses & Fittings: 4,000 psi
 Replaceable Bottom Wear Edge: 1/2" x 6" Steel or Poly
 Optional Blade Marker
 Optional Top Mounted Rubber Deflector

MODEL NUMBER	DESCRIPTION	APPROX. MACHINE WEIGHT	SHIPPING WEIGHT	LIST PRICE
AP-TE3596	35 SERIES TRIP EDGE BLADE - 96" Blade	1114#	1202#	\$ 4,908
	<u>YOU MUST CHOOSE ONE WEAR EDGE</u>			
-01	Steel Wear Edge (301-603A)	138#		\$ 212
-02	Poly Wear Edge (301-605A)	51#		\$ 319
	<u>YOU MAY PICK A DEFLECTOR OPTION</u>			
-21	Top Rubber Deflector Shield (301-607A)	24#		\$ 79
AP-TE35108	35 Series Trip Edge Blade - 108" Blade	1158#	1246#	\$ 5,029
	<u>YOU MUST CHOOSE ONE WEAR EDGE</u>			
-01	Steel Wear Edge (301-604A)	154#		\$ 238
-02	Poly Wear Edge (301-606A)	57#		\$ 383
	<u>YOU MAY PICK A DEFLECTOR OPTION</u>			
-21	Top Rubber Deflector Shield (301-608A)	27#		\$ 90
	<u>OTHER OPTIONS</u>			
-41	Blade Marker (323-026A)	2#		\$ 93

AP-EA20 Series Excavator Auger

[RETURN TO INDEX](#)

6-30 gpm

AVAILABLE FOR: KX71 / KX018-4 / KX033 / KX040 /
 KX057 / KX080 / U17 / U27 / U35 / U55



Choose Excavator Mount
 Hydraulically Driven Planetary Gearbox
 Hydraulically Reversible
 3 Motor Options: 6-15 gpm, 10-20 gpm, 15-30 gpm
 Output Shaft: 2" Hex
 Auger Teeth: Forged, Individually Replaceable
 40 Degree Angle Installed on Flat Side
 50 Degree Angle Installed on Angled Side
 9" - 4 teeth, 12" - 4, 15" - 5, 18" - 6,
 24" - 8, 30" - 10, 36" - 12
 Tree Augers: 24" - 9, 30" - 11, 36" - 13
 Auger Pipe: 2 1/2" ID
 Auger Flighting Thickness: 5/16"
 Auger Length: 48"
 Rock Augers: 6", 9", 12", 15", 18", 24"
 Torque: Up to 2620 ft/lb @ 3000 PSI*

MODEL NUMBER	DESCRIPTION	APPROX. MACHINE WEIGHT	SHIPPING WEIGHT	LIST PRICE
AP-EA20-01	20 SERIES HYDRAULIC POST HOLE DIGGER for use with KX018-4 and U17**	334#	365#	\$ 615
AP-EA20-02	20 SERIES HYDRAULIC POST HOLE DIGGER for use with U25 and U27	341#	372#	\$ 687
AP-EA20-03	20 SERIES HYDRAULIC POST HOLE DIGGER for use with KX033, KX040, KX71, KX91, and U35	364#	395#	\$ 681
AP-EA20-04	20 SERIES HYDRAULIC POST HOLE DIGGER for use with KX057 and U55	419#	450#	\$ 789
AP-EA20-05	20 SERIES HYDRAULIC POST HOLE DIGGER for use with KX080	446#	475#	\$ 861
ADD OPTION				
NUMBER	YOU MAY CHOOSE A HOSE KIT			
-21	54" Hose Kit for KX033, KX040, KX71, KX91, U35, U55, and KX057	3#	3#	\$ 264
-22	74" Hose Kit for KX080	3#	3#	\$ 264
-23	48" Hose Kit for KX018-14 and U17	3#	3#	\$ 139
ADD OPTION				
NUMBER	YOU MAY CHOOSE A TRANSPORT CRADLE			
-31	Cradle	28#	28#	\$ 127
ADD OPTION				
NUMBER	YOU MUST CHOOSE A MOTOR			
-35	6-15 gpm	71#	71#	\$ 1,408
-36	10-20 gpm	71#	71#	\$ 1,393
-37	15-30 gpm	71#	71#	\$ 1,408

*Torque based on theoretical 100% efficiency for comparison purposes only.

** A maximum auger size of 24" is recommended with the KX018-4/U17 mount. Excavator stability and digging performance will suffer with augers larger than 24".

See Auger Options on pg. 48

AP-EA35 Series Excavator Auger

[RETURN TO INDEX](#)

15-30 gpm

AVAILABLE FOR: KX040 / KX057/ KX080 / U55



Choose Excavator Mount
 Hydraulically Driven Planetary Gearbox
 Hydraulically Reversible
 Output Shaft: 2" Hex or 2⁹/₁₆" OD Round
 Auger Teeth: Forged, Individually Replaceable
 40 Degree Angle Installed on Flat Side
 50 Degree Angle Installed on Angled Side
 9" - 4 teeth, 12" - 4, 15" - 5, 18" - 6,
 24" - 8, 30" - 10, 36" - 12
 Tree Augers: 24" - 9, 30" - 11, 36" - 13
 Auger Pipe: 2¹/₂" ID
 Auger Flighting Thickness: 5/16"
 Auger Length: 48"
 Rock Augers: 6", 9", 12", 15", 18", 24"
 Pilot: Cast Steel, 3 Drill Points
 Torque: Up to 2732 ft/lb @ 3000 PSI*

Attachments

MODEL NUMBER	DESCRIPTION	APPROX. MACHINE WEIGHT	SHIPPING WEIGHT	LIST PRICE
AP-EA35-01	35 SERIES HYDRAULIC POST HOLE DIGGER For use with KX018 and U17**	466#	497#	\$ 835
AP-EA35-02	35 SERIES HYDRAULIC POST HOLE DIGGER For use with U25 and U27	471#	503#	\$ 907
AP-EA35-03	35 SERIES HYDRAULIC POST HOLE DIGGER For use with KX040, KX71, KX91, and U35	496#	524#	\$ 901
AP-EA35-04	35 SERIES HYDRAULIC POST HOLE DIGGER For use with KX057 and U55	551#	578#	\$ 1,009
AP-EA35-05	35 SERIES HYDRAULIC POST HOLE DIGGER For use with KX080	578#	599#	\$ 1,081
ADD OPTION NUMBER YOU MAY CHOOSE A HOSE KIT				
-21	54" Hose Kit for KX040, KX71, KX91, U35, U55, and KX057	3#	3#	\$ 264
-22	74" Hose Kit for KX080	3#	3#	\$ 264
-23	48" Hose Kit for KX018 and U17	3#	3#	\$ 139
ADD OPTION NUMBER YOU MAY CHOOSE A TRANSPORT CRADLE				
-31	Cradle	28#	28#	\$ 139
ADD OPTION NUMBER YOU MUST CHOOSE A MOTOR				
-35	Hydraulic Motor/Gearbox: 2-9/16" Round			\$ 1,490
-36	Hydraulic Motor/Gearbox: 2" Hex Shaft			\$ 1,490

*Torque based on theoretical 100% efficiency for comparison purposes only.

** A maximum auger size of 24" is recommended with the KX018/U17 mount.
 Excavator stability and digging performance will suffer with augers larger than 24".

See Auger Options on pg. 48

Auger Options

[RETURN TO INDEX](#)

ADD OPTION NUMBER	FOR 2³/₁₆" ROUND OUTPUT SHAFTS - for AP-EA35 MODEL ONLY	APPROX. MACHINE WEIGHT	SHIPPING WEIGHT	LIST PRICE
-51	9" Double Flight Auger (317-096A)	78#	78#	\$ 477
-52	12" Double Flight Auger (317-099A)	113#	113#	\$ 542
-53	15" Double Flight Auger (317-102A)	116#	116#	\$ 694
-54	18" Double Flight Auger (317-105A)	135#	135#	\$ 764
-55	24" Double Flight Auger (317-108A)	206#	206#	\$ 894
-56	24" Tree Auger (317-111A)	209#	209#	\$ 815
-57	30" Double Flight Auger (317-114A)	224#	224#	\$ 1,312
-58	30" Tree Auger (317-117A)	228#	228#	\$ 1,225
-59	36" Double Flight Auger (317-120A)	280#	280#	\$ 1,572
-60	36" Tree Auger (317-123A)	289#	289#	\$ 1,488
-76	6" Rock Auger (317-281A)	60#	60#	\$ 961
-77	9" Hub Rock Auger (317-268A)	95#	95#	\$ 1,198
-78	12" Hub Rock Auger (317-269A)	116#	116#	\$ 1,478
-79	15" Hub Rock Auger (317-270A)	149#	149#	\$ 1,759
-80	18" Hub Rock Auger (317-271A)	205#	205#	\$ 2,047
-81	24" Hub Rock Auger (317-267A)	256#	256#	\$ 2,573
ADD OPTION NUMBER	FOR 2" HEX OUTPUT SHAFTS - FOR AP-EA20 and AP-EA35 MODELS			
-40	6" Double Flight Auger (317-273A)	39#	39#	\$ 456
-41	9" Double Flight Auger (317-095A)	78#	78#	\$ 477
-42	12" Double Flight Auger (317-098A)	113#	113#	\$ 542
-43	15" Double Flight Auger (317-101A)	116#	116#	\$ 694
-44	18" Double Flight Auger (317-104A)	135#	135#	\$ 764
-45	24" Double Flight Auger (317-107A)	206#	206#	\$ 894
-46	24" Tree Auger (317-110A)	209#	209#	\$ 815
-47	30" Double Flight Auger (317-113A)	224#	224#	\$ 1,312
-48	30" Tree Auger (317-116A)	228#	228#	\$ 1,225
-49	36" Double Flight Auger (317-119A)	280#	280#	\$ 1,572
-50	36" Tree Auger (317-122A)	289#	289#	\$ 1,488
-70	6" Rock Auger (317-280A)	60#	60#	\$ 961
-71	9" Hex Rock Auger (317-263A)	95#	95#	\$ 1,198
-72	12" Hex Rock Auger (317-264A)	116#	116#	\$ 1,475
-73	15" Hex Rock Auger (317-265A)	149#	149#	\$ 1,759
-74	18" Hex Rock Auger (317-266A)	205#	205#	\$ 2,047
-75	24" Hex Rock Auger (317-267A)	256#	256#	\$ 2,573

See Accessories on pg. 48



P.O. Box 5060 • Salina, KS 67402-5060 • (888) 987-7433 • www.landpride.com